

INTERNATIONAL STANDARD

NORME INTERNATIONALE

**Appliance couplers for household and similar general purposes –
Part 2-4: Couplers dependent on appliance weight for engagement**

**Connecteurs pour usages domestiques et usages généraux analogues –
Partie 2-4: Connecteurs à connexion par gravité**



THIS PUBLICATION IS COPYRIGHT PROTECTED

Copyright © 2009 IEC, Geneva, Switzerland

All rights reserved. Unless otherwise specified, no part of this publication may be reproduced or utilized in any form or by any means, electronic or mechanical, including photocopying and microfilm, without permission in writing from either IEC or IEC's member National Committee in the country of the requester.

If you have any questions about IEC copyright or have an enquiry about obtaining additional rights to this publication, please contact the address below or your local IEC member National Committee for further information.

Droits de reproduction réservés. Sauf indication contraire, aucune partie de cette publication ne peut être reproduite ni utilisée sous quelque forme que ce soit et par aucun procédé, électronique ou mécanique, y compris la photocopie et les microfilms, sans l'accord écrit de la CEI ou du Comité national de la CEI du pays du demandeur.

Si vous avez des questions sur le copyright de la CEI ou si vous désirez obtenir des droits supplémentaires sur cette publication, utilisez les coordonnées ci-après ou contactez le Comité national de la CEI de votre pays de résidence.

IEC Central Office
3, rue de Varembe
CH-1211 Geneva 20
Switzerland
Email: inmail@iec.ch
Web: www.iec.ch

About the IEC

The International Electrotechnical Commission (IEC) is the leading global organization that prepares and publishes International Standards for all electrical, electronic and related technologies.

About IEC publications

The technical content of IEC publications is kept under constant review by the IEC. Please make sure that you have the latest edition, a corrigenda or an amendment might have been published.

- Catalogue of IEC publications: www.iec.ch/searchpub

The IEC on-line Catalogue enables you to search by a variety of criteria (reference number, text, technical committee,...). It also gives information on projects, withdrawn and replaced publications.

- IEC Just Published: www.iec.ch/online_news/justpub

Stay up to date on all new IEC publications. Just Published details twice a month all new publications released. Available on-line and also by email.

- Electropedia: www.electropedia.org

The world's leading online dictionary of electronic and electrical terms containing more than 20 000 terms and definitions in English and French, with equivalent terms in additional languages. Also known as the International Electrotechnical Vocabulary online.

- Customer Service Centre: www.iec.ch/webstore/custserv

If you wish to give us your feedback on this publication or need further assistance, please visit the Customer Service Centre FAQ or contact us:

Email: csc@iec.ch
Tel.: +41 22 919 02 11
Fax: +41 22 919 03 00

A propos de la CEI

La Commission Electrotechnique Internationale (CEI) est la première organisation mondiale qui élabore et publie des normes internationales pour tout ce qui a trait à l'électricité, à l'électronique et aux technologies apparentées.

A propos des publications CEI

Le contenu technique des publications de la CEI est constamment revu. Veuillez vous assurer que vous possédez l'édition la plus récente, un corrigendum ou amendement peut avoir été publié.

- Catalogue des publications de la CEI: www.iec.ch/searchpub/cur_fut-f.htm

Le Catalogue en-ligne de la CEI vous permet d'effectuer des recherches en utilisant différents critères (numéro de référence, texte, comité d'études,...). Il donne aussi des informations sur les projets et les publications retirées ou remplacées.

- Just Published CEI: www.iec.ch/online_news/justpub

Restez informé sur les nouvelles publications de la CEI. Just Published détaille deux fois par mois les nouvelles publications parues. Disponible en-ligne et aussi par email.

- Electropedia: www.electropedia.org

Le premier dictionnaire en ligne au monde de termes électroniques et électriques. Il contient plus de 20 000 termes et définitions en anglais et en français, ainsi que les termes équivalents dans les langues additionnelles. Egalement appelé Vocabulaire Electrotechnique International en ligne.

- Service Clients: www.iec.ch/webstore/custserv/custserv_entry-f.htm

Si vous désirez nous donner des commentaires sur cette publication ou si vous avez des questions, visitez le FAQ du Service clients ou contactez-nous:

Email: csc@iec.ch
Tél.: +41 22 919 02 11
Fax: +41 22 919 03 00



IEC 60320-2-4

Edition 1.1 2009-12

INTERNATIONAL STANDARD

NORME INTERNATIONALE

**Appliance couplers for household and similar general purposes –
Part 2-4: Couplers dependent on appliance weight for engagement**

**Connecteurs pour usages domestiques et usages généraux analogues –
Partie 2-4: Connecteurs à connexion par gravité**

INTERNATIONAL
ELECTROTECHNICAL
COMMISSION

COMMISSION
ELECTROTECHNIQUE
INTERNATIONALE

PRICE CODE
CODE PRIX

CG

ICS 29.120.20

ISBN 2-8318-1069-2

CONTENTS

FOREWORD.....	3
1 Scope.....	5
2 Normative references.....	5
3 Definitions	6
4 General requirements	7
5 General notes on tests	7
6 Standard ratings	7
7 Classification	8
8 Marking	9
9 Dimensions and compatibility	10
10 Protection against electric shock	11
11 Provision for earthing.....	11
12 Terminals and terminations	11
13 Construction	12
14 Moisture resistance.....	13
15 Insulation resistance and electric strength.....	14
16 Forces necessary to insert and withdraw the connector	15
17 Operation of contacts.....	15
18 Resistance to heating of appliance couplers for hot conditions or very hot conditions.....	15
19 Breaking capacity	16
20 Normal operation	16
21 Temperature rise	17
22 Cords and their connection	18
23 Mechanical strength.....	19
24 Resistance to heat and ageing	19
25 Screws, current-carrying parts and connections	20
26 Creepage distances, clearances and distances through insulation	20
27 Resistance of insulating material to heat, fire and tracking	25
28 Resistance to rusting	26
29 Electromagnetic compatibility (EMC) requirements	26
Annex AA (normative) Proof tracking test	28
Annex BB (normative) Needle flame test	29
Annex CC (normative) Apparatus for the test of Subclause 14.2	30
Figure 101 – Examples of clearances	27
Figure CC.1 – Apparatus for the test of Subclause 14.2.....	30
Table 101 – Test voltages	14
Table 102 – Rated impulse voltage.....	21
Table 103 – Minimum clearances	21
Table 104 – Minimum creepage distances for basic insulation	23

INTERNATIONAL ELECTROTECHNICAL COMMISSION

**APPLIANCE COUPLERS FOR HOUSEHOLD
AND SIMILAR GENERAL PURPOSES –****Part 2-4: Couplers dependent on appliance weight
for engagement**

FOREWORD

- 1) The International Electrotechnical Commission (IEC) is a worldwide organization for standardization comprising all national electrotechnical committees (IEC National Committees). The object of IEC is to promote international co-operation on all questions concerning standardization in the electrical and electronic fields. To this end and in addition to other activities, IEC publishes International Standards, Technical Specifications, Technical Reports, Publicly Available Specifications (PAS) and Guides (hereafter referred to as "IEC Publication(s)"). Their preparation is entrusted to technical committees; any IEC National Committee interested in the subject dealt with may participate in this preparatory work. International, governmental and non-governmental organizations liaising with the IEC also participate in this preparation. IEC collaborates closely with the International Organization for Standardization (ISO) in accordance with conditions determined by agreement between the two organizations.
- 2) The formal decisions or agreements of IEC on technical matters express, as nearly as possible, an international consensus of opinion on the relevant subjects since each technical committee has representation from all interested IEC National Committees.
- 3) IEC Publications have the form of recommendations for international use and are accepted by IEC National Committees in that sense. While all reasonable efforts are made to ensure that the technical content of IEC Publications is accurate, IEC cannot be held responsible for the way in which they are used or for any misinterpretation by any end user.
- 4) In order to promote international uniformity, IEC National Committees undertake to apply IEC Publications transparently to the maximum extent possible in their national and regional publications. Any divergence between any IEC Publication and the corresponding national or regional publication shall be clearly indicated in the latter.
- 5) IEC itself does not provide any attestation of conformity. Independent certification bodies provide conformity assessment services and, in some areas, access to IEC marks of conformity. IEC is not responsible for any services carried out by independent certification bodies.
- 6) All users should ensure that they have the latest edition of this publication.
- 7) No liability shall attach to IEC or its directors, employees, servants or agents including individual experts and members of its technical committees and IEC National Committees for any personal injury, property damage or other damage of any nature whatsoever, whether direct or indirect, or for costs (including legal fees) and expenses arising out of the publication, use of, or reliance upon, this IEC Publication or any other IEC Publications.
- 8) Attention is drawn to the Normative references cited in this publication. Use of the referenced publications is indispensable for the correct application of this publication.
- 9) Attention is drawn to the possibility that some of the elements of this IEC Publication may be the subject of patent rights. IEC shall not be held responsible for identifying any or all such patent rights.

International Standard IEC 60320-2-4 has been prepared by subcommittee 23G: Appliance couplers, of IEC technical committee 23: Electrical accessories

This consolidated version of IEC 60320-2-4 consists of the first edition (2005) [documents 23G/251/FDIS and 23G/252/RVD] and its amendment 1 (2009) [documents 23G/290/CDV and 23G/291/RVC].

The technical content is therefore identical to the base edition and its amendment and has been prepared for user convenience.

It bears the edition number 1.1.

A vertical line in the margin shows where the base publication has been modified by amendment 1.

This publication has been drafted in accordance with the ISO/IEC Directives, Part 2.

IEC 60320 consists of the following parts, under the general title *Appliance couplers for household and similar general purposes*:

Part 1: General requirements

Part 2-1: Sewing machine couplers

Part 2-2: Interconnection couplers for household and similar equipment

Part 2-3: Appliance couplers with a degree of protection higher than IPX0

Part 2-4: Couplers dependent on appliance weight for engagement

This part 2 is to be used in conjunction with IEC 60320-1: *Appliance couplers for household and similar general purposes – Part 1: General requirements*. It was established on the basis of the second edition of that standard (2001).

The clauses of this standard supplement or modify the corresponding clauses of IEC 60320-1. When a particular subclause of Part 1 is not mentioned in this part 2, the subclause of IEC 60320-1 applies without modification as far as is reasonable. Where this standard states “addition”, “modification” or “replacement”, the relevant requirement, test specification or explanatory matter in IEC 60320-1 should be adapted accordingly.

Subclauses, figures or tables which are additional to those in Part 1 are numbered starting from 101. Additional annexes are lettered AA, BB etc.

The committee has decided that the contents of the base publication and its amendments will remain unchanged until the maintenance result date indicated on the IEC web site under "<http://webstore.iec.ch>" in the data related to the specific publication. At this date, the publication will be

- reconfirmed,
- withdrawn,
- replaced by a revised edition, or
- amended.

APPLIANCE COUPLERS FOR HOUSEHOLD AND SIMILAR GENERAL PURPOSES –

Part 2-4: Couplers dependent on appliance weight for engagement

1 Scope

This clause of IEC 60320-1 is replaced as follows:

This standard is applicable to two-pole appliance couplers for a.c. only, with or without earthing contact, with a rated voltage not exceeding 250 V and a rated current not exceeding 16 A, for household and similar general purposes and intended for incorporation or integration within electric appliances or other electric equipment of multi-part construction for 50 Hz or 60 Hz supply which depend on the weight of the appliance to ensure correct engagement.

NOTE 1 Appliance couplers complying with this standard are suitable for use in appliances which are used in an ambient temperature not normally exceeding 25 °C but occasionally reaching 35 °C. However the ambient temperature surrounding the appliance coupler may exceed these figures and is to be declared by the manufacturer. It is possible that the maximum working ambient temperature for the appliance inlet and for the connector may be different.

NOTE 2 Appliance couplers dependent on appliance weight for engagement may be subject to spillage of liquid in normal use. They are classified according to whether protection against liquid spillage is provided, when installed in accordance with the manufacturer's installation instructions.

NOTE 3 If appliance inlets according to this standard are used with appliances or other equipment which may be subject to spillage of liquid affecting the appliance inlet when the functioning part of the appliance or equipment is seated on its power base, then protection against moisture is to be provided by the equipment.

NOTE 4 References to standard sheets within IEC 60320-1 do not apply to appliance couplers dependent on appliance weight for engagement.

NOTE 5 Special constructions may be required:

- in locations where special conditions may prevail, for example, in ships, vehicles and the like;
- in hazardous locations, for example, where explosions are likely to occur.

2 Normative references

This clause of IEC 60320-1 applies with the following additions:

IEC 60112, *Method for the determination of the proof and the comparative tracking indices of solid insulating materials*

IEC 60320-1, *Appliance couplers for household and similar general purposes – Part 1: General requirements*

IEC 60320-2-2, *Appliance couplers for household and similar general purposes – Part 2-2: Interconnection couplers for household and similar equipment*

IEC 60320-2-3, *Appliance couplers for household and similar general purposes – Part 2-3: Appliance couplers with a degree of protection higher than IPX0*

IEC 60335-1, *Household and similar electrical appliances – Safety – Part 1: General requirements*

IEC 60664-1, *Insulation coordination for equipment within low voltage systems – Part 1: Principles, requirements and tests*

IEC 60695-11-5, *Fire hazard testing – Part 11-5: Test flames – Needle-flame test method – Apparatus, confirmatory test arrangement and guidance*

IEC 60695-11-10, *Fire hazard testing, – Part 11-10: Test flames, – 50 W horizontal and vertical flame test methods*

IEC 60730 (all parts), *Automatic electrical controls for household and similar use*

IEC 61032, *Protection of persons and equipment by enclosures – Probes for verification*

IEC 61058-1, *Switches for appliances – Part 1: General requirements*

IEC/TR 60083, *Plugs and socket-outlets for domestic and similar general use standardized in member countries of IEC*

ISO 9772, *Cellular plastics – Determination of horizontal burning characteristics of small specimens subjected to a small flame*

3 Definitions

This clause of IEC 60320-1 applies with the following additions:

3.101

weight-engaged coupler

coupler that relies on the weight of the functioning part of the appliance, in which it is incorporated or integrated, to ensure correct engagement

NOTE The weight-engaged coupler is used in an appliance which is in two parts, for supplying the part that performs the function of the appliance (the functioning part) from the power base which is connected to the power supply.

3.102

weight-engaged connector

component part of the weight-engaged coupler which carries the power connections, and engages with the corresponding appliance inlet.

3.103

weight-engaged appliance inlet

component part of a weight-engaged coupler intended for integration or incorporation in the functioning part of the appliance

3.104

rewirable weight-engaged connector

weight-engaged connector so constructed that the supply cord can be replaced

NOTE 1 The method of attachment of the supply cord, when installed in accordance with the manufacturer's installation instructions, is classified according to type X or type Y attachment requirements of the appliance standards.

NOTE 2 The requirements for type X or Type Y attachment methods are given in IEC 60335-1.

3.105

type X attachment

method of attachment of the supply cord such that it can easily be replaced

NOTE The supply cord may be specially prepared and only available from the manufacturer or its service agent. A specially prepared cord may include a part of the appliance.

3.106

type Y attachment

method of attachment of the supply cord such that any replacement is intended to be made by the manufacturer, its service agent or similar qualified person

3.107**type Z attachment**

method of attachment of the supply cord such that it cannot be replaced without breaking or destroying the appliance

4 General requirements

This clause of IEC 60320-1 applies.

5 General notes on tests

This clause of IEC 60320-1 applies amended as follows:

5.2 Replacement:

The specimens are tested as delivered and under normal conditions of use, in accordance with the installation instructions of the manufacturer; they are tested with a.c. at 50 Hz or 60 Hz.

Non-rewirable weight-engaged connectors shall be submitted with a cord at least 1 m long.

For those clauses requiring the tests to be carried out on weight-engaged connectors and weight-engaged appliance inlets installed in accordance with the manufacturer's instructions, representative appliances or appliance parts shall be supplied.

5.5 Replacement:

For weight-engaged appliance inlets three specimens are required, to be subjected to the tests specified.

For weight-engaged connectors six specimens are required:

- set 1 of three specimens is subjected to the tests specified, with the exception of those of Clauses 14, 15, 16, 19, 20 and 21, and of 24.2;
- set 2 of three specimens is subjected to the tests of Clauses 14, 15, 16, 19, 20, 21 and 25.101 (including the repetition of Clause 16).

For weight-engaged connectors which are declared as providing protection against liquid spillage, three additional specimens are required, which are subjected to the test of 14.2.

For weight-engaged connectors of elastomeric or thermoplastic material, two additional specimens are required which are subjected to the tests of 24.2.1 or 24.2.2, whichever is applicable.

For non rewirable weight-engaged connectors with indicators, three additional specimens with one pole of the indicator disconnected are required for the tests of Clause 15.

6 Standard ratings

This clause of IEC 60320-1 is replaced as follows

6.1 The standard rated voltage is 250 V. Other rated voltages may be declared by the manufacturer provided they do not exceed 250 V.

6.2 The rated current shall be declared by the manufacturer. A coupler may have different current ratings dependent on use within specified applications. The rated current shall not in any case exceed 16 A.

Compliance with the requirements of 6.1 and 6.2 is checked by visual inspection of the marking or the manufacturer's instructions for installation and use.

7 Classification

This clause of IEC 60320-1 applies amended as follows:

7.1 Replacement:

7.1 Weight-engaged couplers are classified:

7.1.1 According to whether or not protection against liquid spillage is provided when the connector is installed according to the manufacturer's instructions

7.1.2 According to type of equipment to be connected:

- appliance couplers for class I equipment;
- appliance couplers for class II equipment.

NOTE For a description of the classes, see IEC 61140

7.1.3 According to whether or not the coupler is intended to be engaged and disengaged with current flowing.

7.1.4 According to the maximum ambient working temperature of the coupler.

NOTE The maximum ambient working temperature of the connector and appliance inlet may be different.

7.1.5 According to the number of cycles to be performed in the test of Clause 20. Preferred values are:

7.1.5.1 100 000

7.1.5.2 60 000

7.1.5.3 30 000

7.1.5.4 20 000

7.1.5.5 10 000

7.1.5.6 6 000

NOTE Different numbers of endurance cycles may be declared for different current ratings of the same coupler. A cycle is two strokes as defined in Clause 19; that is one connection followed by one disconnection.

7.1.6 The following information is recorded to cover required tests.

7.1.6.1 According to the specified minimum cross-sectional area of cord.

7.1.6.2 According to the maximum allowable terminal temperature rise.

7.1.6.3 According to the maximum allowable termination temperature rise.

7.1.6.4 According to the maximum allowable contact temperature rise.

- 7.1.6.5** According to the minimum appliance weight required for correct engagement.
- 7.1.6.6** According to the minimum base weight required for correct disengagement.
- 7.1.6.7** According to maximum pin temperature at the base of the pins of the corresponding appliance inlet:
- appliance couplers for cold conditions (pin temperature not exceeding 70 °C);
 - appliance couplers for hot conditions (pin temperature not exceeding 120 °C);
 - appliance couplers for very hot conditions (pin temperature not exceeding 155 °C).

NOTE Temperature rise limits apply to both the inlet and connector, and can be specified separately if required.

7.2 This subclause of IEC 60320-1 does not apply.

NOTE The notes at the end of this subclause in IEC 60320-1 are also not applicable.

8 Marking

This clause of IEC 60320-1 applies amended as follows:

8.1 Replacement:

Weight-engaged connectors shall be marked with the name, trademark or identification mark of the maker or of the responsible vendor and a type reference.


8.2 Replacement:

Weight-engaged appliance inlets shall be marked with the name, trademark or identification mark of the maker or of the responsible vendor and a type reference.

8.5 This subclause of IEC 60320-1 does not apply.

8.6 Replacement:

In rewirable, non-reversible weight-engaged connectors, terminals shall be indicated as follows:

earthing terminal:	the symbol	
neutral terminal:	the letter	N

In non-rewirable, non-reversible weight-engaged connectors, no marking of contacts is necessary, but cores shall be connected as specified in 22.1.

Appliance inlets, other than those integrated or incorporated in an appliance or equipment, for use with connectors according to this subclause, shall have terminal markings to correspond with this subclause.

The marking symbol or letters shall not be placed on screws, removable washers or other removable parts.

NOTE The requirement concerning the marking of terminals and the connection of conductors has been introduced to take account of those countries who already require a polarized supply system with regard to a possible future introduction of a unified plug and socket-outlet system, which will be to a great extent a polarized system. It is recommended to take this requirement into account already now in countries which at present have no polarized plug and socket-outlet system.

Rewirable connectors shall be supplied with the following instructions:

- (1) a diagram illustrating the method of connection of the conductors, in particular the (excess) length of the earthing conductor and the operation of the cord anchorage;
- (2) a full-scale diagram showing the length of sleeving and insulation to be stripped back;
- (3) the sizes and types of cords suitable.
- (4) the type of attachment for connector and inlet.

NOTE 1 It is essential that the connection of the earthing conductor is shown in an instructive way, preferably with sketches.

NOTE 2 These instructions need not follow connectors supplied directly to an equipment manufacturer.

NOTE 3 In order to comply with the National Electrical Code of the United States the neutral terminal must be either white in colour, or labelled "white". One way of accomplishing this is to nickel plate the neutral terminal and to leave the other terminal(s) unplated.

Additional subclause:

8.101 Instructions for installation and use shall be supplied with weight-engaged appliance couplers. These instructions shall contain the information necessary to ensure compliance with this standard and shall contain the classifications declared by the manufacturer according to Clause 7.

For weight-engaged couplers intended to be exclusively delivered to the equipment manufacturer, the instruction sheet may be replaced by a leaflet, letter, or drawing, etc. It is not necessary for each coupler to be accompanied by such a document.

9 Dimensions and compatibility

This clause of IEC 60320-1 applies amended as follows:

9.1 Replacement:

Weight-engaged appliance couplers may take any form appropriate to their function, but shall comply with the requirements of this standard as far as applicable.

9.2 This subclause of IEC 60320-1 does not apply.

9.3 Replacement:

It shall not be possible to make improper connections between weight-engaged connectors and weight-engaged appliance inlets when installed in accordance with the manufacturer's instructions. In those constructions where the design is such that transient single-pole connections occur as the weight-engaged connector is placed into and withdrawn from the appliance inlet during normal use, then such transient single-pole connections are allowed.

Weight-engaged couplers shall not allow improper connections with plugs or portable socket outlets complying with IEC 60083.

Weight-engaged couplers shall not allow improper connections with connectors or appliance inlets complying with the standard sheets of IEC 60320-1, IEC 60320-2-2 or IEC 60320-2-3.

Compliance is checked by examination and reference to the manufacturer's declarations.

NOTE "Improper connections" include single-pole connection and other connections which do not comply with the requirements concerning protection against electric shock.

If in doubt, reference should be made to the appropriate appliance standards regarding the requirements for weight-engaged connectors and appliance inlets.

9.4 Replacement:

It shall not be possible to engage connectors for class II equipment with appliance inlets for class I equipment.

Compliance is checked by inspection.

9.5 Note 1 of this subclause is not applicable.

9.6 This subclause of IEC 60320-1 does not apply.

10 Protection against electric shock

This clause of IEC 60320-1 applies amended as follows:

10.1 Appliance couplers shall be so designed that live parts of the appliance inlets are not accessible when the connector is in partial or complete engagement.

Weight-engaged appliance connectors shall be so designed that the live parts and parts connected thereto are not accessible when the connector is properly assembled and wired as in normal use.

Note 2 is not applicable.

10.2 This clause of IEC 60320-1 applies amended as follows.

NOTE To be assessed when incorporated in the end product.

10.101 Test probe 13 of IEC 61032 is applied without appreciable force through openings in appliance connectors.

NOTE "Without appreciable force" is considered to be a force not exceeding 1 N.

It shall not be possible to touch live parts with the test probe.

11 Provision for earthing

This clause of IEC 60320-1 applies amended as follows:

11.2 The note of this subclause is not applicable.

12 Terminals and terminations

This clause of IEC 60320-1 applies amended as follows:

Replace the first two paragraphs as follows:

For weight-engaged appliance inlets and weight-engaged connectors integrated in or incorporated in an appliance or equipment, the requirements in the appropriate IEC standard for that appliance or equipment shall apply.

12.1 Replacement

For weight-engaged appliance inlets and weight-engaged connectors, the requirements in the appropriate IEC standard for the appliance or equipment into which they are intended to be integrated or incorporated shall apply.

12.2 This subclause of IEC 60320-1 does not apply.

12.3 This subclause of IEC 60320-1 does not apply.

13 Construction

This clause of IEC 60320-1 applies amended as follows:

13.1 The note of this subclause is not applicable.

13.4 Replacement:

Pins of weight-engaged appliance inlets shall

- be securely retained,
- have adequate mechanical strength,
- not be possible to remove without the aid of a tool, and
- live parts shall be surrounded by a shroud.

NOTE This requirement does not exclude pins which are to some extent floating.

The security of components designed to function as contact pins, whether in the inlet or connector part, is checked by inspection and by the tests of Clause 19 and Clause 20.

13.5 Replacement:

The contact system of a weight-engaged coupler shall be self-adjusting so as to provide adequate contact pressure.

For connectors other than 0,2 A connectors self-adjustment of the contacts shall not depend upon the resiliency of insulating material.

Compliance is checked by inspection.

NOTE The self-adjustment of the contacts may be provided in either the appliance inlet or the connector or both.

13.9 This subclause of IEC 60320-1 applies amended as follows:

NOTE 2 is not applicable.

13.11 This subclause of IEC 60320-1 does not apply.

13.12 Replacement:

Fuses, relays, thermostats and thermal cut-outs incorporated in weight-engaged connectors and weight-engaged appliance inlets shall comply with the relevant IEC standards.

Switches or energy regulators incorporated in weight-engaged connectors or weight-engaged appliance inlets shall comply with IEC 61058 and IEC 60730 respectively.

Where an weight-engaged appliance inlet is integrated in or incorporated in an appliance or equipment, then that part which can be identified as the appliance inlet shall comply with the requirements of this standard.

Compliance is checked by inspection and by testing the switches, fuses, relays, thermostats, thermal cut-outs or energy regulators according to the relevant IEC standard.

14 Moisture resistance

This clause of IEC 60320-1 is replaced as follows:

14.1 Weight-engaged couplers shall be proof against humid conditions, which may occur in normal use.

NOTE If weight-engaged couplers are used with equipment that is subject to the spillage of liquid in normal use the protection is assumed to be provided by the equipment.

Compliance is checked by the humidity treatment described in this clause, followed immediately by the tests of Clause 15.

Weight-engaged connectors and appliance inlets are not in engagement when subjected to humidity treatment and rewirable weight-engaged connectors are not fitted with a cord.

The humidity test is carried out in a humidity cabinet containing air with a relative humidity maintained between 91% and 95%. The temperature of the air, at all places where specimens can be located, is maintained within ± 1 °C of any convenient value t °C, between 20 °C and 30 °C.

Before being placed in the humidity cabinet, the specimens are brought to a temperature between t °C and $(t + 4)$ °C.

The specimens are kept in the cabinet for:

- 168 h (7days) for connectors with earthing contact and for appliance inlets with earthing contact, which are submitted as individual accessories, not incorporated in other equipment;
- 48 h (2 days) in all other cases.

NOTE 1 In most cases, the specimens may be brought to the specified temperature by keeping them at this temperature for at least 4h before the humidity treatment.

NOTE 2 A relative humidity between 91 % and 95 % can be obtained by placing in the humidity cabinet a saturated solution of sodium sulphate (Na_2SO_4) or potassium nitrate (KNO_3) in water, having a sufficiently large contact surface with the air.

NOTE 3 In order to achieve the specified conditions within the cabinet, it is necessary to ensure constant circulation of the air within and, in general, to use a cabinet which is thermally insulated.

After this treatment, the specimen shall show no damage within the meaning of this standard.

14.2 Weight-engaged connectors which are declared as providing protection against liquid spillage shall be constructed so that, when installed into a representative power base, in accordance with manufacturer's installation instructions, the connector is not affected by liquid.

Compliance is checked by the following test:

The power base is placed on a horizontal surface and 30 ml of de-ionised water containing approximately 1 % NaCl is poured over the appliance connector through a vertical tube 30 mm long and having an internal diameter of 8 mm. The outlet of the tube is located 200 mm above the upper surface of the connector and the saline solution is poured steadily over a period of 2 s. For connectors having multiple contact apertures spaced more than 30 mm apart this test is repeated on clean samples of the power base over each contact aperture or aperture group.

The representative power base and connector installation shall then withstand the electric strength test of 15.3, the voltage for **reinforced insulation** however, being reduced to 2 500 V.

The test is performed using the apparatus of Annex CC.

15 Insulation resistance and electric strength

This clause of IEC 60320-1 applies amended as follows:

15.3 Replacement:

Immediately after the test of 15.2 the insulation is subjected for 1 min to a voltage of substantially sine-wave form and having a frequency of 50 Hz to 60 Hz. The values of the test voltage are shown in Table 101.

Accessible parts of insulating material are covered with metal foil.

Care should be taken to avoid overstressing basic insulation. In particular the metal foil shall approach no closer than the specified creepage distance for reinforced insulation to earthed parts.

Weight-engaged connectors are tested when in engagement with a weight-engaged appliance inlet and also when not in engagement.

Initially, not more than half the prescribed voltage is applied, then it is raised rapidly to the full value.

No flashover or breakdown shall occur during the test.

Table 101 – Test voltages

Points of application	Test voltage V	
	Class II appliances and class II constructions	Other appliances
1. Between live parts and accessible parts separated from live parts by – basic insulation only – reinforced insulation	– 3 000	1 000 3 000
2. For parts with double insulation, between metal parts separated from live parts by basic insulation only and – live parts – accessible parts	1 250 2 500	1 250 2 500
3. Between metal enclosures or covers lined with insulating material and metal foil in contact with the inner surface of the lining, if the distance between live parts and these metal enclosures or covers, measured through the lining, is less than the appropriate clearance as specified in Clause 26.	2 500	1 250

NOTE 1 The high-voltage transformer used for the test is so designed that, when the output terminals are short circuited after the output voltage has been adjusted to the appropriate test voltage, the output current is at least 200 mA. The overcurrent relay must not trip when the output current is less than 100 mA.

NOTE 2 Care is taken that the r.m.s. value of the test voltage is measured within $\pm 3\%$.

NOTE 3 Glow discharges without drop in voltage are neglected.

16 Forces necessary to insert and withdraw the connector

This Clause of IEC 60320-1 is replaced as follows:

16.1 The construction of weight-engaged appliance couplers shall be such that the connector will fully engage under the weight of the appliance or equipment, and will disengage under the weight of the power base. The minimum values of these weights shall be specified by the manufacturer's installation instructions.

Compliance is checked by the tests of 16.2 and 16.3, which are made on a connector and an appliance inlet, and is repeated after the test of Clause 21. A representative appliance and power base, each having the minimum weight declared by the manufacturer, may be supplied for this test.

16.2 The minimum weight for full engagement is determined by mounting a weight-engaged connector and weight-engaged appliance inlet so that they may engage freely, and that the axis of engagement is vertical. A force equal to the specified minimum appliance weight, less the weight of the appliance inlet, is applied vertically downwards to the appliance inlet. The appliance inlet shall fully enter the connector, in accordance with the manufacturer's installation instructions. Any initial resistance caused by sealing shutters and the like may be overcome manually, but the coupler shall be fully engaged under the specified force alone.

NOTE The apparatus with which this test is performed will depend on the construction of the weight-engaged appliance coupler under consideration. A representative appliance having the declared minimum weight may be used to apply the force.

16.3 The minimum weight for correct disengagement of the power base shall be determined by placing the weight-engaged appliance connector on a horizontal surface so that its axis of engagement is vertical, and attaching to the connector a weight equal to the minimum weight declared by the manufacturer. The weight-engaged connector shall be free to move on the surface.

The weight-engaged appliance inlet is then engaged fully with the connector and withdrawn.

The connector shall not remain in the appliance inlet.

NOTE A representative power base of the minimum weight declared by the manufacturer may be used to provide the weight required in this test.

Weight-engaged connectors for which a maximum ambient working temperature is specified in 7.1.4 which is higher than ambient temperature are tested twice, once at an ambient temperature, and once after the appliance inlet has been raised to the specified maximum ambient working temperature.

17 Operation of contacts

The third paragraph of IEC 60320-1 is replaced as follows:

Compliance with the requirements is checked by inspection and by the tests of Clauses 16, 18, 19, 20, 21 and 25.101.

18 Resistance to heating of appliance couplers for hot conditions or very hot conditions

This clause of IEC 60320-1 applies, amended as follows:

NOTE Where the appliance coupler is a weight-engaged appliance coupler of a non-standard pattern the test of 18.2 and 18.3 may be combined using the manufacturer's weight-engaged connector engaged with the corresponding weight-engaged appliance inlet.

19 Breaking capacity

This clause of IEC 60320-1 is replaced as follows:

Weight-engaged appliance couplers shall have adequate breaking capacity.

This test is not carried out on weight-engaged couplers specifically intended never to be disengaged while the current is flowing.

NOTE 1 Some lateral movement is allowed to simulate intended use.

Compliance is checked, for couplers having a current rating in excess of 0,2 A, by the following test:

The connector shall be mounted in a suitable apparatus.

The appliance inlet shall be positioned so that the plane through the direction of engagement is vertical.

The two live contacts of the appliance inlet are connected internally to one another and an external electrical load is connected in series with the supply. The external load is of such a value that the current is 1,25 times the rated current at a test voltage of 275 V, the power factor being $0,95 \begin{smallmatrix} +0,05 \\ 0 \end{smallmatrix}$ for weight-engaged connectors with a rated current of 10 A or greater, and $0,6 \pm 0,05$ for other weight-engaged connectors. The external load is positioned so as not to affect the ambient temperature of the test enclosure. An example of a suitable circuit is shown in IEC 60320-1, Figure 15.

The weight-engaged connector and the appliance inlet are connected and disconnected 50 times (100 strokes), at a rate between 15 and 20 strokes per minute. The length of stroke shall be sufficient to ensure separation of the connector and inlet mating faces by at least 30 mm.

No current is passed through the earthing circuit, if any.

If an air core inductor is used, a resistor taking approximately 1% of the current through the inductor is connected in parallel with it. Iron-core inductors may be used provided the current is of substantially sine-wave form.

During the test, there shall be no flashover between live parts of different polarity or such parts and parts of the earthing circuit, if any, neither shall there be any sustained arcing.

After the test, the specimen shall show no damage impairing its further use and the entry areas for the appliance inlet contacts shall not show any serious damage. In case of doubt the test is repeated with a new appliance inlet fitted to the test apparatus. If the specimen passes this second test without further significant deterioration, the coupler is considered to comply with the requirement.

NOTE 2 A stroke is a connection or a disconnection of the connector.

NOTE 3 This test is carried out at ambient temperature.

20 Normal operation

This clause of IEC 60320-1 is replaced as follows:

Weight-engaged appliance couplers shall withstand, without excessive wear or other harmful effects, the mechanical, electrical and thermal stresses occurring in normal use.

Compliance is checked by testing connectors in the apparatus used for Clause 19.

The number of connections and disconnections performed in this test shall be as declared by the manufacturer. Where the weight-engaged coupler system is intended for use in a number of different appliance types, and with different current ratings, tests shall be carried out on a separate set of specimens for the specified number of cycles for each appliance type, the test current being determined from the manufacturer's rated current declarations.

The connections and other test conditions shall be as specified in Clause 19, except that the current shall be 1,1 times rated current, and the voltage applied shall be the maximum rated voltage. Half the number of strokes shall be applied with current flowing, followed by half the number of strokes without current flowing. On weight-engaged connectors and appliance inlets specifically intended never to be disengaged with current flowing then the full number of strokes shall be applied with no current.

For weight-engaged couplers which allow a range of angular orientation of engagement, the relative angular position of the weight-engaged appliance inlet and weight-engaged connector during insertion and withdrawal shall be varied by an amount within an arc which shall be the lesser of 45° or the available arc provided by the design. The test shall be carried out in an apparatus which changes the relative position of the weight-engaged appliance inlet and the weight-engaged connector after withdrawal and before the next insertion by an even amount such that the relative insertion orientation is changed between 20 and 30 times within the available arc or 45° whichever applies. The direction of rotation shall be reversed at each end of the arc. Every 250 insertions the weight-engaged appliance inlet and the weight-engaged connector shall be rotated relative to each other in each direction whilst in engagement by the full angular amount allowed by the design or the arc or 45°, whichever is the smaller, returning to the starting position before the next disengagement. For weight-engaged couplers specifically intended never to be disengaged with current flowing, the test current shall be applied only during this engaged rotation for half the number of test cycles declared by the manufacturer.

After the test, the specimens shall withstand an electric strength test as specified in 15.3.

The specimen shall show:

- no wear impairing its further use;
- no deterioration of enclosures or barriers;
- no damage to the entry areas in the weight-engaged coupler contacts that might impair proper working;
- no loosening of electrical or mechanical connections;
- no seepage of sealing compound.

In case of doubt over excessive wear, the Test probe 13 of IEC 61032 is applied without appreciable force through openings in appliance connectors. It shall not be possible to touch live parts with the test probe. "Without appreciable force" is considered to be a force not exceeding 1 N.

NOTE 1 The humidity treatment is not repeated before the electric strength test of this clause.

NOTE 2 Some lateral movement of the mating connector to the appliance inlet under test is allowed to simulate intended use.

21 Temperature rise

This clause of IEC 60320-1 is replaced as follows:

Contacts and other current-carrying parts shall be so designed as to prevent excessive temperature rise due to the passage of current.

Compliance is checked, for connectors having a current rating in excess of 0,2 A, by the following test:

Connectors shall be fitted with the cord specified by the manufacturer.

The connector shall be fitted to a corresponding appliance inlet ensuring correct engagement as specified by the manufacturer.

Alternatively, heating test requirements from the appropriate appliance standard can be used instead of the test at 1,25 times rated current for 1 h.

For connectors with earthing contact, the current shall then be passed through one current-carrying contact and the earthing contact for 1 h.

The temperature shall be determined by means of melting particles, colour changing indicators or thermocouples, which shall be so chosen and positioned that they have negligible effect on the temperature being determined.

The temperature rise of terminals or terminations and contacts shall not exceed the value declared by the manufacturer, taking into account the construction and materials of the connector and appliance inlet, and of the specified cord, and the requirements of the relevant appliance standard.

After this test the second set of three specimens specified in 5.5 shall withstand the test of Clause 16.

NOTE 1 During the test, the connector is not exposed to an external source of heat.

NOTE 2 For connectors with an earthing contact, Subclause 25.101 is applicable.

22 Cords and their connection

This clause of IEC 60320-1 applies amended as follows:

22.1 *Addition:*

For non-rewirable weight-engaged connectors having a current rating other than those specified in Table 4, the cord shall have a cross-sectional area not less than that specified for the next higher current rating. The type of the cord shall be appropriate to the appliance specified in 25.7 of IEC 60335-1.

NOTE The cross-sectional area requirements of 25.8 of IEC 60335-1 do not apply.

22.2 *Replacement:*

Weight-engaged connectors in which the cord anchorage and strain relief is provided wholly by the power base of the appliance or equipment into which they are intended to be integrated or incorporated are not tested to this subclause. Other weight-engaged connectors which provide either partial or complete cord anchorage shall be tested, when installed according to the manufacturer's instructions, according to the requirements of the appropriate IEC standard of the appliance or equipment into which they are intended to be incorporated or integrated.

22.3 This subclause of IEC 60320-1 does not apply.

22.4 This subclause of IEC 60320-1 does not apply.

23 Mechanical strength

This clause of IEC 60320-1 applies amended as follows:

23.1 Replacement:

Weight-engaged appliance couplers shall have adequate mechanical strength.

Compliance is checked on weight-engaged couplers, installed as specified by the manufacturer, by the test of 23.5.

23.2 This subclause of IEC 60320-1 does not apply.

23.3 This subclause of IEC 60320-1 does not apply.

23.4 This subclause of IEC 60320-1 does not apply.

23.5 This subclause of IEC 60320-1 applies amended as follows:

Replace the first paragraph as follows:

Weight-engaged appliance inlets and weight-engaged connectors which have exposed surfaces when integrated or incorporated into an appliance in accordance with the manufacturer's instructions shall have such exposed surfaces tested by means of the spring-operated impact-test apparatus shown in Figure 21.

23.6 This subclause of IEC 60320-1 does not apply.

23.8 This subclause of IEC 60320-1 does not apply.

24 Resistance to heat and ageing

This clause of IEC 60320-1 applies amended as follows:

24.1.2 Replacement:

Parts of insulating material of weight-engaged appliance inlets and of weight-engaged connectors shall be sufficiently resistant to heat if their deterioration could cause the appliance inlet or connector to fail to comply with this standard.

This requirement does not apply to parts of the cord anchorage, the cord guard, parts of connectors moulded together with the cord and parts of ceramic.

Compliance is checked by subjecting the relevant part to the ball pressure test of IEC 60695-10-2.

The test is carried out at a temperature of (40 ± 2) °C in excess of the highest temperature measured in Clause 21 or (125 ± 2) °C if this is greater.

24.1.3 This subclause of IEC 60320-1 does not apply.

25 Screws, current-carrying parts and connections

This clause of IEC 60320-1 applies amended as follows:

25.3 Replacement:

Electrical connections shall be so designed that contact pressure is not transmitted through insulating material other than ceramic, or other material with characteristics at least equivalent.

This requirement does not apply to weight-engaged connectors and appliance inlets, if there is sufficient resiliency in the metallic parts to compensate for any possible shrinkage of the insulating material.

NOTE The suitability of the material is considered with regard to the stability of the dimensions.

Compliance is checked by inspection.

NOTE This requirement does not preclude electrical connections with flat tinsel cord for applications up to 0,2 A where the contact pressure is obtained by insulating material having such properties as to ensure reliable and permanent contact under all conditions of normal use, especially in view to shrinking, yielding, ageing, and cold flow of the insulating part.

25.8 This subclause of IEC 60320-1 does not apply.

25.101 For couplers with earthing contacts the connection between the earthing terminal or termination and earthed metal parts shall have low resistance.

If the clearances of basic insulation in a protective extra-low voltage circuit are based on the rated voltage of the appliance, this requirement does not apply to connections providing earthing continuity in the protective extra-low voltage circuit.

Compliance is checked by the following test performed in a representative appliance in which the coupler is intended to be used:

A current derived from a source having a no-load voltage not exceeding 12 V (a.c. or d.c.) and equal to 1,5 times the rated current of the appliance or 25 A, whichever is higher, is passed between the earthing terminal or earthing contact of the connector and each of the accessible metal parts of the representative appliance in turn.

The voltage drop between the earthing terminal or termination of the appliance connector and the accessible metal part of the representative appliance is measured. The resistance calculated from the current and this voltage drop shall not exceed 0,1 Ω .

NOTE 1 In case of doubt, the test is carried out until steady conditions have been established.

NOTE 2 The resistance of the supply cord is not included in the measurement.

NOTE 3 Care is to be taken to ensure that the contact resistance between the tip of the measuring probe and the metal part under test does not influence the test results.

26 Creepage distances, clearances and distances through insulation

This clause of IEC 60320-1 is replaced as follows:

Appliance inlets and connectors shall be constructed so that the **clearances, creepage distances** and solid insulation are adequate to withstand the electrical stresses to which they are liable to be subjected.

Weight-engaged connectors are tested when in engagement with a weight-engaged appliance inlet and also when not in engagement.

Compliance is checked by the requirements and tests of 26.1 to 26.3.

NOTE 1 The requirements and tests are based on IEC 60664-1, from which further information can be obtained.

NOTE 2 The assessment of **clearances**, **creepage distances** and solid insulation has to be carried out separately.

26.1 Clearances shall not be less than the values specified in Table 103, taking into account the **rated impulse voltage** for the overvoltage categories of Table 102.

Appliance inlets and connectors are in overvoltage category II.

NOTE 1 IEC 60664-1 gives information regarding overvoltage categories.

Table 102 – Rated impulse voltage

Rated voltage V	Rated impulse voltage V		
	Overvoltage category		
	I	II	III
≤ 50	330	500	800
> 50 and ≤ 100	500	800	1500
> 100 and ≤ 150	800	1 500	2 500
> 150 and ≤ 300	1 500	2 500	4 000

Clearances less than those specified in Table 103 are not allowed for **basic insulation**.

Table 103 – Minimum clearances

Rated impulse voltage V	Minimum clearance ^a mm
330	0,5 ^b
500	0,5 ^b
800	0,5 ^b
1 500	0,5
2 500	1,5
4 000	3,0

^a The distances specified apply only to **clearances** in air.

^b The smaller **clearances** specified in IEC 60664-1 have not been adopted for practical reasons, such as mass-production tolerances.

Compliance is checked by inspection and by measurement.

Parts, such as hexagonal nuts that can be tightened to different positions during assembly, and movable parts, are placed in the most unfavourable position.

A force is applied to bare conductors and **accessible surfaces** to try to reduce **clearances** when making the measurement. The force is

- 2 N, for bare conductors,
- 30 N, for **accessible surfaces**.

The force is applied by means of test probe B of IEC 61032. Apertures are assumed to be covered by a piece of flat metal.

NOTE 2 The way in which **clearances** are measured is specified in IEC 60664-1 and Figure 101.

26.1.1 The **clearances** of **basic insulation** shall be sufficient to withstand the overvoltages likely to occur during use, taking into account the **rated impulse voltage**. The values of Table 103 are applicable.

NOTE The overvoltages may be derived from external sources or due to switching.

Compliance is checked by measurement.

26.1.2 **Clearances** of **supplementary insulation** shall be not less than those specified for **basic insulation** in Table 103.

Compliance is checked by measurement.

26.1.3 **Clearances** of **reinforced insulation** shall be not less than those specified for **basic insulation** in Table 103 but using the next higher step for **rated impulse voltage** as a reference.

NOTE For **double insulation**, when there is no intermediate conductive part between the **basic insulation** and **supplementary insulation**, **clearances** are measured between **live parts** and the **accessible surface**, and the insulation system is treated as **reinforced insulation** as shown in Figure 101.

Compliance is checked by measurement.

26.1.4 For **functional insulation** the values of Table 103 are applicable.

Compliance is checked by measurement.

26.2 Appliance inlets and connectors shall be constructed so that **creepage distances** are not less than those appropriate for the **working voltage**, taking into account the material group and the pollution degree.

NOTE 1 The **working voltage** for parts connected to the neutral is the same as for parts connected to the phase.

Pollution degree 2 applies unless

- precautions have been taken to protect the insulation, in which case pollution degree 1 applies,
- the insulation is subjected to conductive pollution, in which case pollution degree 3 applies.

NOTE 2 An explanation of pollution degree is given in IEC 60664-1

NOTE 3 Pollution degree 4 is not applicable to appliance couplers.

Compliance is checked by measurement.

NOTE 4 The way in which **creepage distances** are measured is specified in IEC 60664-1.

Parts such as hexagonal nuts that can be tightened to different positions during assembly, and movable parts, are placed in the most unfavourable position.

A force is applied to bare conductors and **accessible surfaces** to try to reduce **creepage distances** when making the measurement. The force is

- 2 N, for bare conductors,
- 30 N, for **accessible surfaces**.

The force is applied by means of test probe B of IEC 61032.

The relationship between the material group and the comparative tracking index (CTI) values, as given in subclause 2.7.1.3 of IEC 60664-1, is

- material group I: $600 \leq CTI$,
- material group II: $400 \leq CTI < 600$,
- material group IIIa: $175 \leq CTI < 400$,
- material group IIIb: $100 \leq CTI < 175$.

These CTI values are obtained in accordance with IEC 60112 using solution A. If the CTI value of the material is unknown, a proof tracking index (PTI) test in accordance with annex AA is carried out at the CTI values specified, in order to establish the material group.

NOTE 5 The test for comparative tracking index (CTI) in accordance with IEC 60112 is designed to compare the performance of various insulating materials under test conditions, namely drops of an aqueous contaminant falling on a horizontal surface leading to electrolytic conduction. It gives a qualitative comparison but in the case of insulating materials having a tendency to form tracks it can also give a quantitative comparison, namely the comparative tracking index.

NOTE 6 The procedure for assessing **creepage distances** is given in IEC 60664-1.

26.2.1 Creepage distances of basic insulation shall not be less than those specified in Table 104.

Table 104 – Minimum creepage distances for basic insulation

Working voltage V	Creepage distance mm						
	Pollution degree						
	1	2			3		
		Material group			Material group		
	I	II	IIIa/IIIb	I	II	IIIa/IIIb	
≤ 50	0,2	0,6	0,9	1,2	1,5	1,7	1,9 ^a
> 50 and ≤ 125	0,3	0,8	1,1	1,5	1,9	2,1	2,4
> 125 and ≤ 250	0,6	1,3	1,8	2,5	3,2	3,6	4,0
NOTE For glass, ceramics and other inorganic insulating materials that do not track, creepage distances need not be greater than the associated clearance .							
^a Material group IIIb is allowed if the working voltage does not exceed 50 V.							

Compliance is checked by measurement.

26.2.2 Creepage distances of **supplementary insulation** shall be at least those specified for **basic insulation** in Table 104.

NOTE In the case of supplementary insulation, the note of Table 104 does not apply.

Compliance is checked by measurement.

26.2.3 Creepage distances of reinforced insulation shall be at least double those specified for **basic insulation** in Table 104.

NOTE In the case of reinforced insulation the Note of Table 104 does not apply.

Compliance is checked by measurement.

26.2.4 Creepage distances of functional Insulation shall be not less than those specified in Table 104.

26.3 Solid insulation shall have a minimum thickness of 1 mm for **supplementary insulation** and 2 mm for **reinforced insulation**.

NOTE 1 This does not imply that the thickness has to be through solid insulation only. The insulation may consist of solid material plus one or more air layers.

This requirement does not apply

- for **supplementary insulation**, if the insulation consists of at least two layers, provided that each of the layers withstands the electric strength test of 15.3,
- for **reinforced insulation**, if the insulation consists of at least three layers, provided that any two layers together withstand the electric strength test of 15.3.

In this case, the layers shall not consist of mica or similar scaly material.

NOTE 2 The layers may be bonded together as long as it is possible to test them separately before bonding.

Compliance is checked by inspection and by tests.

Solid insulation may have a lower minimum thickness providing accessible parts of solid insulation shall have sufficient strength to prevent penetration by sharp implements.

Compliance is checked by subjecting the insulation to the following test, unless the thickness of supplementary insulation is at least 1 mm and that of reinforced insulation is at least 2 mm.

The insulation is raised to the temperature measured during the test of Clause 21. The surface of the insulation is then scratched by means of a hardened steel pin, the end of which has the form of a cone with an angle of 40°. Its tip is rounded with a radius of 0,25 mm ± 0,02 mm. The pin is held at an angle of 80° to 85° to the horizontal and loaded so that the force exerted along its axis is 10 N ± 0,5 N. The scratches are made by drawing the pin along the surface of the insulation at a speed of approximately 20 mm/s. Two parallel scratches are made. They are spaced sufficiently apart so that they are not affected by each other, their length covering approximately 25 % of the length of the insulation. Two similar scratches are made at 90° to the first pair without crossing them. The test fingernail of Figure 7 of IEC 60335-1 is then applied to the scratched surface with a force of approximately 10 N. No further damage, such as separation of the material, shall occur. The insulation shall then withstand the electric strength test of 15.3. The hardened steel pin is then applied perpendicularly with a force of 30 N ± 0,5 N to an unscratched part of the surface. The insulation shall then withstand the electric strength test of 15.3 with the pin still applied and used as one of the electrodes.

27 Resistance of insulating material to heat, fire and tracking

This clause of IEC 60320-1 applies amended as follows:

27.1 Replacement:

27.1 Parts of non-metallic material shall be resistant to ignition and spread of fire.

This requirement does not apply to decorative trims, and other parts unlikely to be ignited or to propagate flames that originate inside an appliance in which the connector or appliance inlet is incorporated or integrated.

Compliance is checked by the tests of 27.1.1 and 27.1.2.

The tests are carried out on parts of non-metallic material that have been removed from the connector or appliance inlet. When the glow-wire test is carried out, they are placed in the same orientation as they would be in normal use.

These tests are not carried out on the insulation of wires.

27.1.1 *Parts of non-metallic material are subjected to the glow-wire test of IEC 60695-2-11, which is carried out at 550 °C.*

The glow-wire test is not carried out on parts of material classified at least HB40 according to IEC 60695-11-10, provided that the test sample is no thicker than the relevant part.

Parts for which the glow-wire test cannot be carried out, such as those made of soft or foamy material, shall meet the requirements specified in ISO 9772 for category FH3 material, the test sample being no thicker than the relevant part.

27.1.2 *Connectors and appliance inlets are tested as specified in 27.1.2.1 and 27.1.2.2. However, the tests are not applicable to*

- *parts supporting welded connections;*
- *soldered connections on printed circuit boards;*
- *connections on small components that are mounted on printed circuit boards;*
- *parts within 3 mm of any of these connections.*

NOTE Examples of small components are diodes, transistors, resistors, inductors, integrated circuits and capacitors not directly connected to the supply mains.

27.1.2.1 *Parts of insulating material supporting connections that carry a current exceeding 0,2 A during **normal operation**, and parts of insulating material within a distance of 3 mm of such connections, shall have a glow-wire flammability index of at least 850 °C according to IEC 60695-2-12, the test sample being no thicker than the relevant part.*

27.1.2.2 *Parts of insulating material supporting current-carrying connections, and parts of insulating material within a distance of 3 mm of such connections, are subjected to the glow-wire test of IEC 60695-2-11. However, the glow-wire test is not carried out on parts of material classified as having a glow-wire ignition temperature according to IEC 60695-2-13 of at least*

- *775 °C, for connections which carry a current exceeding 0,2 A during **normal operation**,*
- *675 °C, for other connections,*

provided that the test sample was no thicker than the relevant part.

When the glow-wire test of IEC 60695-2-11 is carried out, the temperatures are

- 750 °C, for connections which carry a current exceeding 0,2 A during **normal operation**,
- 650 °C, for other connections.

NOTE 1 Contacts in components such as switch contacts are considered to be connections.

NOTE 2 The tip of the glow-wire is applied to the part in the vicinity of the connection.

Parts that withstand the glow-wire test of IEC 60695-2-11, but which, during the test, produce a flame that persists for longer than 2 s, are further tested as follows. Parts above the connection within the envelope of a vertical cylinder having a diameter of 20 mm and a height of 50 mm are subjected to the needle-flame test of Annex BB. However, parts shielded by a barrier that meets the needle-flame test of Annex BB are not tested.

The needle-flame test is not carried out on parts of material classified as V-0 or V-1 according to IEC 60695-11-10, provided that the test sample was no thicker than the relevant part.

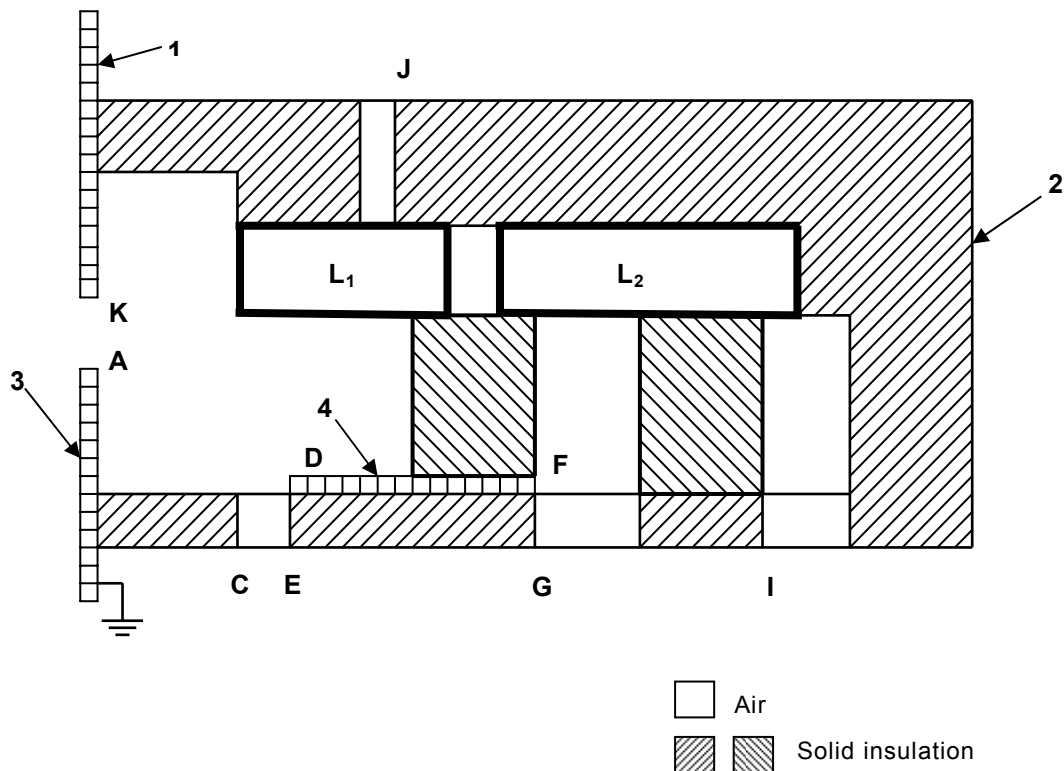
27.2 This subclause of IEC 60320-1 does not apply.

28 Resistance to rusting

This clause of IEC 60320-1 applies.

29 Electromagnetic compatibility (EMC) requirements

This clause of IEC 60320-1 applies.



IEC 557/01

Key

- 1 accessible unearthed metal part
- 2 enclosure
- 3 accessible earthed metal part
- 4 inaccessible unearthed metal part

The **live parts** L₁ and L₂ are separated from each other and partially surrounded by a plastic enclosure containing apertures, partially by air, and are in contact with solid insulation. A piece of inaccessible metal is incorporated inside the construction. There are two metal covers, one of which is earthed.

<u>Type of insulation</u>	<u>Clearance</u>
Basic insulation	L ₁ A
	L ₁ D
	L ₂ F
Functional insulation	L ₁ L ₂
Supplementary insulation	DE
	FG
Reinforced insulation	L ₁ K
	L ₁ J
	L ₂ I
	L ₁ C

NOTE If the clearances L₁D or L₂F meet the clearance requirements for reinforced insulation, the clearances DE or FG of supplementary insulation are not measured.

Figure 101 – Examples of clearances

Annex AA (normative)

Proof tracking test

The proof tracking test is carried out in accordance with IEC 60112 with the following modifications.

10 Determination of proof tracking index (PTI)

Addition:

The specified voltage is 100 V, 175 V, 400 V or 600 V, as appropriate.

The test is made on five specimens.

Annex BB (normative)

Needle flame test

The needle-flame test is carried out in accordance with IEC 60695-11-5 with the following modifications.

7 Severities

Replacement:

The duration of application of the test flame is 30 s ± 1 s.

9 Test procedure

9.2 Modification:

The first paragraph is replaced by:

The specimen is arranged so that the flame can be applied to a vertical or horizontal edge as shown in the examples of Figure 1.

Addition:

If possible, the flame is applied at least 10 mm from a corner.

9.3 Replacement:

The test is made on one specimen. If the specimen does not withstand the test, the test may be repeated on two further specimens, both of which shall then withstand the test.

11 Evaluation of test results

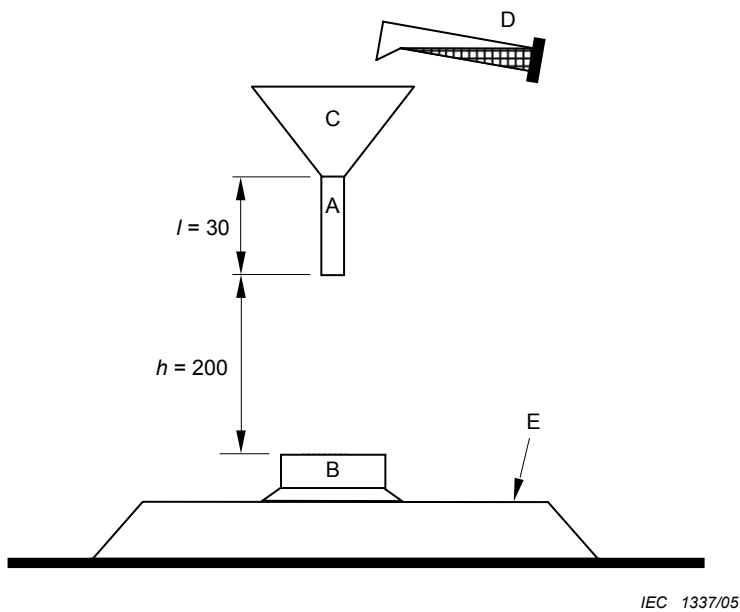
Modification:

The duration of burning (t_b) shall not exceed 30 s. However, for printed circuit boards, it shall not exceed 15 s.

Annex CC (normative)

Apparatus for the test of Subclause 14.2

Dimensions in millimetres



Key

- A Funnel tube with inner diameter of 8 mm
- B Item under test
- C Funnel
- D Container with 30 ml of saline solution
- E Horizontal surface

NOTE The water from the container D is intended to be poured onto the side of the funnel C to ensure correct dispersion of the outlet flow.

Figure CC.1 – Apparatus for the test of Subclause 14.2

LICENSED TO MECON LIMITED - RANCHI/BANGALORE.
FOR INTERNAL USE AT THIS LOCATION ONLY, SUPPLIED BY BOOK SUPPLY BUREAU.

SOMMAIRE

AVANT-PROPOS	33
1 Domaine d'application.....	35
2 Références normatives	35
3 Définitions	36
4 Prescriptions générales	37
5 Généralités sur les essais	37
6 Valeurs assignées	38
7 Classification	38
8 Marques et indications	39
9 Dimensions et compatibilité	40
10 Protection contre les chocs électriques	41
11 Dispositions en vue de la mise à la terre	42
12 Bornes et sorties.....	42
13 Construction	42
14 Résistance à l'humidité	43
15 Résistance d'isolement et rigidité diélectrique	44
16 Forces nécessaires pour engager et pour retirer la prise mobile	45
17 Fonctionnement des contacts.....	46
18 Résistance à l'échauffement des connecteurs pour conditions chaudes ou très chaudes	46
19 Pouvoir de coupure.....	47
20 Fonctionnement normal	48
21 Echauffement	49
22 Câbles souples et leur raccordement	50
23 Résistance mécanique.....	50
24 Résistance à la chaleur et au vieillissement	51
25 Vis, pièces transportant le courant et connexions	51
26 Lignes de fuite, distances dans l'air et distances à travers la matière isolante.....	52
27 Résistance de la matière isolante à la chaleur, au feu et aux courants de cheminement	56
28 Protection contre la rouille	58
29 Prescriptions sur la compatibilité électromagnétique (CEM).....	58
Annexe AA (normative) Essai de tenue au cheminement	60
Annexe BB (normative) Essai au brûleur-aiguille.....	61
Annexe CC (normative) Dispositif pour l'essai du Paragraphe 14.2	62
Figure 101 – Exemples de distances d'isolement.....	59
Figure CC.1 – Dispositif pour l'essai du Paragraphe 14.2.....	62
Tableau 101 – Tensions d'essai	45
Tableau 102 – Tension assignée de tenue aux chocs	52
Tableau 103 – Distances d'isolement minimales	53
Tableau 104 – Lignes de fuite minimales pour l'isolation principale	55

COMMISSION ÉLECTROTECHNIQUE INTERNATIONALE

**CONNECTEURS POUR USAGES DOMESTIQUES
ET USAGES GÉNÉRAUX ANALOGUES –****Partie 2-4: Connecteurs à connexion par gravité**

AVANT-PROPOS

- 1) La Commission Electrotechnique Internationale (CEI) est une organisation mondiale de normalisation composée de l'ensemble des comités électrotechniques nationaux (Comités nationaux de la CEI). La CEI a pour objet de favoriser la coopération internationale pour toutes les questions de normalisation dans les domaines de l'électricité et de l'électronique. A cet effet, la CEI – entre autres activités – publie des Normes internationales, des Spécifications techniques, des Rapports techniques, des Spécifications accessibles au public (PAS) et des Guides (ci-après dénommés "Publication(s) de la CEI"). Leur élaboration est confiée à des comités d'études, aux travaux desquels tout Comité national intéressé par le sujet traité peut participer. Les organisations internationales, gouvernementales et non gouvernementales, en liaison avec la CEI, participent également aux travaux. La CEI collabore étroitement avec l'Organisation Internationale de Normalisation (ISO), selon des conditions fixées par accord entre les deux organisations.
- 2) Les décisions ou accords officiels de la CEI concernant les questions techniques représentent, dans la mesure du possible, un accord international sur les sujets étudiés, étant donné que les Comités nationaux de la CEI intéressés sont représentés dans chaque comité d'études.
- 3) Les Publications de la CEI se présentent sous la forme de recommandations internationales et sont agréées comme telles par les Comités nationaux de la CEI. Tous les efforts raisonnables sont entrepris afin que la CEI s'assure de l'exactitude du contenu technique de ses publications; la CEI ne peut pas être tenue responsable de l'éventuelle mauvaise utilisation ou interprétation qui en est faite par un quelconque utilisateur final.
- 4) Dans le but d'encourager l'uniformité internationale, les Comités nationaux de la CEI s'engagent, dans toute la mesure possible, à appliquer de façon transparente les Publications de la CEI dans leurs publications nationales et régionales. Toutes divergences entre toutes Publications de la CEI et toutes publications nationales ou régionales correspondantes doivent être indiquées en termes clairs dans ces dernières.
- 5) La CEI elle-même ne fournit aucune attestation de conformité. Des organismes de certification indépendants fournissent des services d'évaluation de conformité et, dans certains secteurs, accèdent aux marques de conformité de la CEI. La CEI n'est responsable d'aucun des services effectués par les organismes de certification indépendants.
- 6) Tous les utilisateurs doivent s'assurer qu'ils sont en possession de la dernière édition de cette publication.
- 7) Aucune responsabilité ne doit être imputée à la CEI, à ses administrateurs, employés, auxiliaires ou mandataires, y compris ses experts particuliers et les membres de ses comités d'études et des Comités nationaux de la CEI, pour tout préjudice causé en cas de dommages corporels et matériels, ou de tout autre dommage de quelque nature que ce soit, directe ou indirecte, ou pour supporter les coûts (y compris les frais de justice) et les dépenses découlant de la publication ou de l'utilisation de cette Publication de la CEI ou de toute autre Publication de la CEI, ou au crédit qui lui est accordé.
- 8) L'attention est attirée sur les références normatives citées dans cette publication. L'utilisation de publications référencées est obligatoire pour une application correcte de la présente publication.
- 9) L'attention est attirée sur le fait que certains des éléments de la présente Publication de la CEI peuvent faire l'objet de droits de propriété intellectuelle ou de droits analogues. La CEI ne saurait être tenue pour responsable de ne pas avoir identifié de tels droits de propriété et de ne pas avoir signalé leur existence.

La Norme internationale CEI 60320-2-4 a été établie par le sous-comité 23G: Connecteurs, du comité d'études 23 de la CEI: Petit appareillage

Cette version consolidée de la CEI 60320-2-4 comprend la première édition (2005) [documents 23G/251/FDIS et 23G/252/RVD] et son amendement 1 (2009) [documents 23G/290/CDV et 23G/291/RVC].

Le contenu technique de cette version consolidée est donc identique à celui de l'édition de base et à son amendement; cette version a été préparée par commodité pour l'utilisateur.

Elle porte le numéro d'édition 1.1.

Une ligne verticale dans la marge indique où la publication de base a été modifiée par l'amendement 1.

Cette publication a été rédigée selon les Directives ISO/CEI, Partie 2.

La CEI 60320 comprend les parties suivantes, présentées sous le titre général *Connecteurs pour usages domestiques et usages généraux analogues*:

Partie 1: Prescriptions générales

Partie 2-1: Connecteurs pour machines à coudre

Partie 2-2: Connecteurs d'interconnexion pour matériels électriques domestiques et analogues

Partie 2-3: Connecteurs avec degré de protection supérieur à IPX0

Partie 2-4: Connecteurs à connexion par gravité

La présente Partie 2 doit être utilisée conjointement avec la CEI 60320-1: *Connecteurs pour usages domestiques et usages généraux analogues – Partie 1: Prescriptions générales*. Elle a été établie sur la base de la seconde édition de cette norme (2001).

Les articles de la présente norme complètent ou modifient les articles respectifs de la CEI 60320-1. Lorsqu'un paragraphe particulier de la Partie 1 n'est pas mentionné dans la présente Partie 2, le paragraphe de la CEI 60320-1 s'applique pour autant que cela soit raisonnable. Lorsque la présente norme spécifie "addition", "modification" ou "remplacement", il convient d'adapter en conséquence l'exigence, la modalité d'essai ou le commentaire correspondant de la CEI 60320-1.

Les paragraphes, figures ou tableaux complémentaires à ceux de la Partie 1 sont numérotés à partir de 101. Les annexes complémentaires sont dénommées AA, BB, etc.

Le comité a décidé que le contenu de la publication de base et de ses amendements ne sera pas modifié avant la date de maintenance indiquée sur le site web de la CEI sous "<http://webstore.iec.ch>" dans les données relatives à la publication recherchée. A cette date, la publication sera

- reconduite,
- supprimée,
- remplacée par une édition révisée, ou
- amendée.

CONNECTEURS POUR USAGES DOMESTIQUES ET USAGES GÉNÉRAUX ANALOGUES –

Partie 2-4: Connecteurs à connexion par gravité

1 Domaine d'application

L'article de la CEI 60320-1 est remplacé comme suit:

La présente partie de la CEI 60320 est applicable aux connecteurs bipolaires pour courant alternatif seulement, avec ou sans contact de terre, de tension assignée ne dépassant pas 250 V et de courant assigné ne dépassant pas 16 A, pour usages domestiques et généraux analogues, destinés à l'incorporation ou à l'intégration à l'intérieur d'appareils électriques d'utilisation ou d'autres matériels électriques réalisés par assemblage et alimentés à 50 Hz ou 60 Hz et qui dépendent du poids de l'appareil d'utilisation pour assurer un engagement correct.

NOTE 1 Les connecteurs conformes à la présente norme sont adaptés à une utilisation dans des appareils utilisés sous une température ambiante ne dépassant pas normalement 25 °C mais pouvant atteindre occasionnellement 35 °C. Toutefois, la température ambiante entourant le connecteur peut dépasser ces valeurs auquel cas il faut qu'elle soit déclarée par le fabricant. Il est possible que les températures ambiantes de service maximales pour le socle de connecteur et pour la prise mobile soient différentes.

NOTE 2 Les connecteurs à connexion par gravité peuvent être soumis à des débordements de liquide en usage normal. Ils sont classés selon l'existence d'une protection contre les débordements de liquide lorsqu'ils sont installés conformément aux instructions d'installation du fabricant.

NOTE 3 Si les socles de connecteurs conformes à la présente norme sont utilisés dans des appareils d'utilisation ou d'autres matériels pouvant être soumis à des débordements de liquide affectant le socle de connecteur lorsque la partie en fonction de l'appareil d'utilisation ou du matériel est en place sur son socle alimenté, il faut alors qu'une protection contre l'humidité soit fournie par le matériel.

NOTE 4 Les références aux feuilles de normes de la CEI 60320-1 ne s'appliquent pas aux connecteurs dépendant du poids de l'appareil d'utilisation pour l'engagement.

NOTE 5 Des constructions spéciales peuvent être exigées pour:

- des emplacements présentant des conditions particulières, par exemple à bord des navires, dans des véhicules, etc.;
- des emplacements à atmosphère dangereuse, présentant par exemple des dangers d'explosion.

2 Références normatives

Le présent article de la CEI 60320-1 s'applique avec les additions suivantes:

CEI 60112, *Méthode de détermination des indices de résistance et de tenue au cheminement des matériaux isolants solides*

CEI 60320-1, *Connecteurs pour usages domestiques et usages généraux analogues – Partie 1: Prescriptions générales*

CEI 60320-2-2, *Connecteurs pour usages domestiques et usages généraux analogues – Partie 2-2: Connecteurs d'interconnexion pour matériels électriques domestiques et analogues*

CEI 60320-2-3, *Connecteurs pour usages domestiques et usages généraux analogues – Partie 2-3: Connecteurs avec degré de protection supérieur à IPX0*

CEI 60335-1, *Appareils électrodomestiques et analogues – Sécurité – Partie 1: Prescriptions générales*

CEI 60664-1, *Coordination de l'isolement des matériels dans les systèmes (réseaux) à basse tension – Partie 1: Principes, exigences et essais*

CEI 60695-11-5, *Essais relatifs aux risques du feu – Partie 11-5: Flammes d'essai – Méthode d'essai au brûleur-aiguille – Appareillage, dispositif d'essai de vérification et lignes directrices*

CEI 60695-11-10, *Essais relatifs aux risques du feu – Partie 11-10: Flammes d'essai, – Méthodes d'essai horizontale et verticale à la flamme de 50 W*

CEI 60730 (toutes les parties), *Dispositifs de commande électriques automatiques à usage domestique et analogue*

CEI 61032, *Protection des personnes et des matériels par les enveloppes – Calibres d'essai pour la vérification*

CEI 61058-1, *Interrupteurs pour appareils – Partie 1: Règles générales*

CEI/TR 60083, *Prises de courant pour usages domestiques et analogues normalisées par les pays membres de la CEI*

ISO 9772, *Plastiques alvéolaires – Détermination des caractéristiques de combustion de petites éprouvettes en position horizontale, soumises à une petite flamme*

3 Définitions

Le présent article de la CEI 60320-1 s'applique avec les additions suivantes:

3.101

connecteur connecté par gravité

coupleur dépendant du poids de la partie en fonctionnement de l'appareil d'utilisation dans lequel il est incorporé ou intégré afin d'assurer un engagement correct

NOTE Le connecteur connecté par gravité est utilisé dans un appareil d'utilisation constitué de deux parties, afin d'alimenter la partie qui réalise la fonction de l'appareil d'utilisation (la partie en fonctionnement) à partir du socle d'alimentation qui est raccordé à l'alimentation.

3.102

prise mobile connectée par gravité

partie constituante d'un coupleur connecté par gravité qui porte les liaisons d'alimentation, et s'engage dans le socle de connecteur correspondant

3.103

socle de connecteur connecté par gravité

partie constituante d'un coupleur connecté par gravité destiné à être intégré ou incorporé dans la partie en fonctionnement de l'appareil d'utilisation

3.104

prise mobile connectée par gravité démontable

prise mobile connectée par gravité construite de façon telle que le câble d'alimentation puisse être remplacé

NOTE 1 La méthode de fixation du câble d'alimentation, lorsqu'il est installé conformément aux instructions d'installation du fabricant, est classée selon les exigences de fixation du type X ou du type Y des normes d'appareils d'utilisation.

NOTE 2 Les exigences concernant les méthodes de fixation du type X ou du type Y sont données dans la CEI 60335-1.

3.105

fixation du type X

méthode de fixation du câble d'alimentation telle qu'il puisse être facilement être remplacé

NOTE Le câble d'alimentation peut être spécialement préparé, et disponible seulement auprès du fabricant ou de son service après vente. Un câble spécialement préparé peut comporter une partie de l'appareil.

3.106**fixation du type Y**

méthode de fixation du câble d'alimentation telle que le remplacement de celui-ci est prévu pour être réalisé par le fabricant, son service après vente ou une personne de qualification similaire

3.107**fixation du type Z**

méthode de fixation du câble d'alimentation telle qu'il ne puisse être remplacé sans casser ou détruire l'appareil

4 Prescriptions générales

L'article correspondant de la CEI 60320-1 s'applique.

5 Généralités sur les essais

L'article correspondant de la CEI 60320-1 s'applique avec les modifications suivantes:

5.2 Remplacement:

Les échantillons sont essayés en l'état de livraison et dans les conditions normales d'emploi conformes aux instructions d'installation du fabricant; les essais sont exécutés en courant alternatif à 50 Hz ou 60 Hz.

Les prises mobiles connectées par gravité non démontables doivent être présentées avec un câble souple d'au moins 1 m de longueur.

Pour les articles demandant que les essais soient réalisés sur les prises mobiles connectées par gravité et les socles de connecteur connectés par gravité installés conformément aux instructions du fabricant, on doit fournir des appareils ou parties d'appareils représentatifs.

5.5 Remplacement:

Dans le cas de socles de connecteurs connectés par gravité, trois échantillons sont exigés pour être soumis aux essais spécifiés.

Dans le cas de prises mobiles connectées par gravité, six échantillons sont nécessaires:

- le lot 1 de trois échantillons est soumis aux essais prescrits, à l'exception de ceux des Articles 14, 15, 16, 19, 20 et 21, et de 24.2;
- le lot de 2 de trois échantillons est soumis aux essais des Articles 14, 15, 16, 19, 20, 21 et 25.101 (y compris la répétition des essais de l'Article 16).

Dans le cas de prises mobiles connectées par gravité qui sont déclarées fournir une protection contre les débordements de liquide, trois échantillons supplémentaires sont nécessaires, lesquels sont soumis à l'essai de 14.2.

Dans le cas de prises mobiles connectées par gravité en matériau élastomère ou thermo-plastique, deux échantillons supplémentaires sont nécessaires, lesquels sont soumis aux essais de 24.2.1 ou 24.2.2 selon l'essai applicable.

Dans le cas de prises mobiles connectées par gravité non démontables avec un indicateur, trois échantillons supplémentaires avec un pôle de l'indicateur déconnecté sont nécessaires pour les essais de l'Article 15.

6 Valeurs assignées

L'article correspondant de la CEI 60320-1 est remplacé comme suit:

6.1 La valeur normale de la tension assignée est 250 V. D'autres tensions assignées peuvent être déclarées par le fabricant sous réserve qu'elles ne dépassent pas 250 V.

6.2 Le courant assigné doit être déclaré par le fabricant. Un connecteur peut avoir différentes valeurs assignées de courant dépendant de l'utilisation à l'intérieur d'applications particulières. Le courant assigné ne doit en aucun cas dépasser 16 A.

La conformité avec les exigences de 6.1 et de 6.2 est vérifiée par examen visuel du marquage ou des instructions du fabricant pour l'installation et l'utilisation.

7 Classification

L'article correspondant de la CEI 60320-1 s'applique avec les modifications suivantes

7.1 Remplacement :

7.1 Les connecteurs connectés par gravité sont classés:

7.1.1 Selon l'existence ou non d'une protection contre les débordements de liquide lorsque la prise mobile est installée selon les instructions du fabricant.

7.1.2 Selon le type d'équipement à raccorder en:

- connecteurs pour matériels de la classe I;
- connecteurs pour matériels de la classe II.

NOTE Pour la description des classes, voir la CEI 61140.

7.1.3 Selon que le connecteur est prévu ou non être engagé et désengagé avec le courant circulant.

7.1.4 Selon la température ambiante de service maximale du connecteur.

NOTE Les températures ambiantes de service maximales de la prise mobile et du socle de connecteur peuvent être différentes.

7.1.5 Selon le nombre de cycles à réaliser au cours de l'essai de l'Article 20: Les valeurs préférentielles sont:

7.1.5.1 100 000

7.1.5.2 60 000

7.1.5.3 30 000

7.1.5.4 20 000

7.1.5.5 10 000

7.1.5.6 6 000

NOTE Des valeurs différentes de nombre de cycles d'endurance peuvent être déclarées pour les différentes valeurs assignées de courant d'un même connecteur. Un cycle correspond à deux changements de position comme défini à l'Article 19, c'est-à-dire une connexion suivie d'une déconnexion.

- 7.1.6** L'information suivante est enregistrée pour couvrir les essais exigés.
- 7.1.6.1** Selon la section minimale spécifiée du câble souple.
- 7.1.6.2** Selon l'échauffement des bornes maximal admissible.
- 7.1.6.3** Selon l'échauffement des sorties maximal admissible.
- 7.1.6.4** Selon l'échauffement des contacts maximal admissible.
- 7.1.6.5** Selon le poids minimal de l'appareil exigé pour un engagement correct.
- 7.1.6.6** Selon le poids minimal du socle exigé pour un désengagement correct.
- 7.1.6.7** Selon la température de broche maximale à la base des broches du socle de connecteur correspondant:
- connecteurs pour conditions froides (température de broche ne dépassant pas 70 °C);
 - connecteurs pour conditions chaudes (température de broche ne dépassant pas 120 °C);
 - connecteurs pour conditions très chaudes (température de broche ne dépassant pas 155 °C).

NOTE Les limites d'échauffement s'appliquent à la fois au socle et à la prise mobile et peuvent être spécifiées séparément si exigé.

7.2 Le paragraphe correspondant de la CEI 60320-1 ne s'applique pas.

NOTE Les notes à la fin de ce paragraphe de la CEI 60320-1 ne s'appliquent pas non plus.

8 Marques et indications

L'article correspondant de la CEI 60320-1 s'applique avec les modifications suivantes:

8.1 Remplacement:

Les prises mobiles connectées par gravité doivent être marquées avec le nom, la marque de fabrique ou la marque d'identification du fabricant ou du vendeur responsable ainsi que la référence du type.

8.2 Remplacement:

Les socles de connecteurs connectés par gravité doivent être marqués avec le nom, la marque de fabrique ou la marque d'identification du fabricant ou du vendeur responsable ainsi que la référence du type.

8.5 Le paragraphe correspondant de la CEI 60320-1 ne s'applique pas.

8.6 Remplacement:

Dans le cas de prises mobiles connectées par gravité, non réversibles, et démontables, les bornes doivent être marquées de la manière suivante:

borne de terre:

symbole



borne de neutre:

lettre

N

Dans le cas de prises mobiles connectées par gravité, non réversibles, et non démontables, aucun marquage des contacts n'est nécessaire mais les âmes doivent être raccordées comme spécifié en 22.1.

Les socles de connecteurs, autres que ceux intégrés ou incorporés dans un appareil d'utilisation ou un matériel électrique et destinés à être utilisés avec des prises mobiles répondant aux exigences du présent paragraphe, doivent avoir les bornes marquées conformément aux règles de ce paragraphe.

Le symbole ou les lettres ne doivent pas être placés sur des vis, des rondelles amovibles ou d'autres parties amovibles.

NOTE L'exigence concernant le marquage des bornes et le raccordement des conducteurs a été introduite pour tenir compte des pays qui utilisent déjà un système de distribution polarisé et de l'introduction future d'un éventuel système unifié de prise de courant qui sera dans une large mesure polarisé. Il est recommandé aux pays dont le système de prise de courant n'est pas actuellement polarisé de respecter dès à présent cette exigence.

Les prises mobiles démontables doivent être fournies avec les instructions suivantes:

- (1) un schéma indiquant la méthode de raccordement des conducteurs, en particulier la longueur (supplémentaire) du conducteur de terre, ainsi que la mise en œuvre du dispositif d'arrêt de traction;
- (2) un schéma à l'échelle 1 donnant la longueur de gaine et d'isolant à retirer;
- (3) les types et tailles de câble souple acceptables.
- (4) le type de fixation pour la prise mobile et le socle de connecteur.

NOTE 1 Il est essentiel que le raccordement du conducteur de terre soit indiqué de façon pédagogique, de préférence avec des dessins.

NOTE 2 Il n'est pas nécessaire de joindre ces instructions aux prises mobiles destinées à l'approvisionnement d'un équipementier.

NOTE 3 Afin de satisfaire au Code National de l'Electricité des Etats-Unis, la borne de neutre doit être soit de couleur blanche, ou étiquetée "white". Une façon de réaliser cette exigence est de recouvrir de nickel la borne de neutre et de laisser la(les) autre(s) borne(s) en leur état normal.

Paragraphe complémentaire:

8.101 Les instructions pour l'installation et l'emploi doivent être fournies avec les connecteurs connectés par gravité. Ces instructions doivent contenir les informations nécessaires pour assurer la conformité avec la présente norme et doivent contenir les classifications déclarées par le fabricant selon l'Article 7.

Pour les connecteurs connectés par gravité prévus pour être uniquement délivrés au fabricant d'équipement, la feuille d'instruction peut être remplacée par une plaquette, un courrier ou un dessin, etc. Il n'est pas nécessaire que chaque connecteur soit accompagné d'un tel document.

9 Dimensions et compatibilité

L'article correspondant de la CEI 60320-1 s'applique avec les modifications suivantes:

9.1 Remplacement:

Les connecteurs connectés par gravité peuvent prendre toute forme adaptée à leur fonction, mais doivent être conformes aux exigences de la présente norme pour autant qu'applicables.

9.2 Le paragraphe correspondant de la CEI 60320-1 ne s'applique pas.

9.3 Remplacement:

Il doit être impossible d'établir des connexions indésirables entre des prises mobiles connectées par gravité et des socles de connecteurs connectés par gravité lorsqu'ils sont installés conformément aux instructions du fabricant. Dans les constructions où la conception est telle que des connexions unipolaires transitoires se produisent alors que la prise mobile connectée par gravité est mise en place et retirée du socle de connecteur au cours de l'usage normal, de telles connexions unipolaires transitoires sont admises.

Les connecteurs connectés par gravité ne doivent pas permettre des connexions indésirables avec les fiches et socles de prises de courant conformes à la CEI 60083.

Les connecteurs connectés par gravité ne doivent pas permettre des connexions indésirables avec les prises mobiles ou les socles de connecteurs conformes aux feuilles de normes de la CEI 60320-1, de la CEI 60320-2-2 ou de la CEI 60320-2-3.

La conformité est vérifiée par examen et par référence aux déclarations du fabricant.

NOTE Les «connexions indésirables» comprennent les connexions unipolaires et toute autre connexion non conformes aux exigences concernant la protection contre les chocs électriques.

En cas de doute, il convient de faire référence aux normes d'appareils d'utilisation appropriées en ce qui concerne les exigences pour les prises mobiles et socles de connecteurs connectés par gravité.

9.4 Remplacement:

Il doit être impossible d'engager les prises mobiles destinées au raccordement des matériels de la classe II dans les socles de connecteurs prévus pour des matériels de la classe I.

La conformité est vérifiée par examen.

9.5 La Note 1 du présent paragraphe ne s'applique pas.

9.6 Le paragraphe correspondant de la CEI 60320-1 ne s'applique pas.

10 Protection contre les chocs électriques

L'article correspondant de la CEI 60320-1 s'applique avec les modifications suivantes:

10.1 Les connecteurs doivent être conçus de façon que les parties sous tension des socles de connecteurs ne soient pas accessibles lorsque la prise mobile est partiellement ou complètement engagée.

Les prises mobiles connectées par gravité doivent être conçues de façon que les parties sous tension et les parties qui y sont raccordées ne soient pas accessibles lorsque la prise mobile est convenablement assemblée et câblée comme en usage normal.

La Note 2 ne s'applique pas.

10.2 Ce paragraphe de la CEI 60320-1 s'applique avec les modifications suivantes:

NOTE A apprécier après incorporation dans le produit fini.

10.101 Le calibre d'essai 13 de la CEI 61032 est appliqué sans force appréciable au travers des ouvertures des prises mobiles.

NOTE "Sans force appréciable" signifie une force ne dépassant pas 1 N.

Il ne doit pas être possible de mettre en contact les parties actives avec le calibre d'essai.

11 Dispositions en vue de la mise à la terre

L'article correspondant de la CEI 60320-1 s'applique avec les modifications suivantes:

11.2 La note du présent paragraphe ne s'applique pas.

12 Bornes et sorties

L'article correspondant de la CEI 60320-1 s'applique avec les modifications suivantes:

Remplacer les deux premiers alinéas par ce qui suit:

Pour les socles de connecteurs et prises mobiles connectés par gravité intégrés ou incorporés dans un appareil d'utilisation ou un matériel électrique, les exigences de la norme de la CEI concernée par cet appareil d'utilisation ou ce matériel électrique doivent s'appliquer.

12.1 Remplacement

Pour les socles de connecteurs et prises mobiles connectés par gravité, les exigences de la norme de la CEI appropriée à l'appareil d'utilisation ou au matériel électrique dans lequel ils sont prévus être intégrés ou incorporés doivent s'appliquer.

12.2 Le paragraphe correspondant de la CEI 60320-1 ne s'applique pas.

12.3 Le paragraphe correspondant de la CEI 60320-1 ne s'applique pas.

13 Construction

L'article correspondant de la CEI 60320-1 s'applique avec les modifications suivantes:

13.1 La note du présent paragraphe ne s'applique pas.

13.4 Remplacement:

Les broches des socles de connecteurs connectés par gravité doivent

- être maintenues de façon sûre,
- avoir une résistance mécanique suffisante,
- ne pas pouvoir être enlevées sans l'aide d'un outil, et
- avoir les parties actives entourées par une jupe.

NOTE Cette exigence n'exclut pas les broches qui sont, dans une certaine mesure, flottantes.

La sécurité des composants conçus pour fonctionner comme des broches ou alvéoles, que ce soit dans la partie socle ou dans la partie prise mobile, est vérifiée par examen et par les essais des Articles 19 et 20.

13.5 Remplacement:

Le système des alvéoles d'un connecteur connecté par gravité doit s'aligner de lui-même afin d'assurer une pression de contact appropriée.

Pour les prises mobiles autres que le type 0,2 A, l'auto-alignement des alvéoles ne doit pas être fonction de l'élasticité de la matière isolante.

La conformité est vérifiée par examen.

NOTE L'auto-alignement des alvéoles peut être réalisé soit dans le socle de connecteur, soit dans la prise mobile, soit dans les deux à la fois.

13.9 Le paragraphe de la CEI 60320-1 s'applique avec les modifications suivantes:

La Note 2 ne s'applique pas.

13.11 Le paragraphe correspondant de la CEI 60320-1 ne s'applique pas.

13.12 *Remplacement:*

Les fusibles, relais, thermostats et coupe-circuit thermiques incorporés dans les prises mobiles connectées par gravité et les socles de connecteurs connectés par gravité doivent être conformes aux normes de la CEI appropriées.

Les interrupteurs et les régulateurs d'énergie incorporés à des prises mobiles connectées par gravité ou à des socles de connecteurs connectés par gravité doivent être conformes respectivement à la CEI 61058 et à la CEI 60730.

Lorsqu'un socle de connecteur connecté par gravité est intégré ou incorporé dans un appareil d'utilisation ou un matériel électrique, la partie pouvant être identifiée comme le socle de connecteur doit alors satisfaire aux exigences de la présente norme.

La conformité est vérifiée par examen et en essayant les interrupteurs, fusibles, relais, thermostats, coupe-circuit thermiques et les régulateurs d'énergie conformément aux exigences de la norme applicable de la CEI.

14 Résistance à l'humidité

L'article de la CEI 60320-1 est remplacé comme suit:

14.1 Les connecteurs connectés par gravité doivent résister aux conditions d'humidité susceptibles d'être rencontrées en usage normal.

NOTE Si des connecteurs connectés par gravité sont utilisés avec des matériels qui sont sujets, en usage normal, à des débordements de liquide, la protection contre l'humidité est en principe fournie par le matériel.

La conformité est vérifiée par l'épreuve hygroscopique décrite dans cet article, immédiatement suivie des essais de l'Article 15.

Les prises mobiles et socles de connecteurs connectés par gravité ne sont pas engagés lorsqu'ils sont soumis à l'épreuve hygroscopique; les prises mobiles connectées par gravité démontables ne sont pas équipées d'un câble souple.

L'épreuve hygroscopique est effectuée dans une enceinte humide contenant de l'air ayant une humidité relative maintenue entre 91 % et 95 %. La température de l'air, en tout endroit où les échantillons peuvent être placés, est maintenue, à ± 1 °C près, à une valeur appropriée t °C, comprise entre 20 °C et 30 °C.

Avant d'être placés dans l'enceinte humide, les échantillons sont portés à une température comprise entre t °C et $(t + 4)$ °C.

Les échantillons sont maintenus dans l'enceinte pendant:

- 168 h (7 jours) dans le cas des prises mobiles avec alvéole de terre et des socles de connecteurs avec contact de terre lorsqu'ils sont présentés comme appareils individuels, non incorporés dans d'autres matériels électriques;
- 48 h (2 jours) dans tous les autres cas.

NOTE 1 Dans la plupart des cas, les échantillons peuvent être portés à la température spécifiée en les maintenant à cette température pendant au moins 4 h avant l'épreuve hygroscopique.

NOTE 2 Une humidité relative comprise entre 91 % et 95 % peut être obtenue en plaçant dans l'enceinte humide une solution saturée de sulfate de sodium ($\text{Na}_2 \text{SO}_4$) ou de nitrate de potassium (KNO_3) dans de l'eau ayant une surface de contact suffisamment grande avec l'air.

NOTE 3 Pour obtenir les conditions spécifiées à l'intérieur de l'enceinte, il est nécessaire d'assurer une circulation constante de l'air à l'intérieur et, en général, d'utiliser une enceinte isolée thermiquement.

Après cette épreuve, l'échantillon ne doit présenter aucun dommage au sens de la présente norme.

14.2 Les prises mobiles connectées par gravité qui sont déclarées fournir une protection contre le débordement de liquide doivent être fabriquées de façon que la prise mobile ne soit pas affectée par le liquide lorsqu'elle est installée dans un socle d'alimentation représentatif, conformément aux instructions d'installation du fabricant.

La conformité est vérifiée par l'essai suivant:

Le socle d'alimentation est placé sur une surface horizontale et on verse 30 ml d'eau déionisée contenant environ 1 % de NaCl sur la prise mobile de l'appareil d'utilisation à travers un tube vertical de 30 mm de long et de 8 mm de diamètre intérieur. La sortie du tube est située à 200 mm au-dessus de la surface supérieure de la prise mobile et la solution saline est versée de façon continue pendant une durée de 2 s. Dans le cas de prises mobiles disposant d'ouvertures d'alvéoles multiples espacées de plus de 30 mm, cet essai est répété sur des échantillons propres du socle d'alimentation sur chaque ouverture d'alvéole ou chaque groupe d'ouvertures.

L'installation représentative du socle d'alimentation et de la prise mobile doit alors résister à l'essai de rigidité diélectrique de 15.3, la tension pour **l'isolation renforcée** étant toutefois réduite à 2 500 V.

L'essai est réalisé en utilisant l'appareillage illustré à l'Annexe CC.

15 Résistance d'isolement et rigidité diélectrique

L'article correspondant de la CEI 60320-1 s'applique avec les modifications suivantes:

15.3 Remplacement:

Immédiatement après l'essai de 15.2, l'isolant est soumis pendant 1 min à une tension de forme pratiquement sinusoïdale et de fréquence 50 Hz à 60 Hz. Les valeurs de la tension d'essai sont indiquées au Tableau 101.

Les parties accessibles du matériau isolant sont recouverts d'une feuille métallique.

Il convient de porter attention à éviter des contraintes excessives sur l'isolation principale. En particulier, la feuille de métal ne doit pas être à une distance inférieure à la ligne de fuite spécifiée entre l'isolation renforcée et les parties mises à la terre.

Les prises mobiles connectées par gravité sont essayées lorsqu'elles sont engagées dans un socle de connecteur connecté par gravité et aussi lorsqu'elles sont désengagées.

Au début de l'essai, la tension appliquée ne dépasse pas la moitié de la valeur prescrite, puis elle est amenée rapidement à la pleine valeur.

Au cours de l'essai, il ne doit se produire ni contournement, ni perforation.

Tableau 101 – Tensions d'essai

Points d'application	Tension d'essai V	
	Appareils d'utilisation de classe II et constructions de classe II	Autres appareils d'utilisation
1. Entre parties actives et parties accessibles séparées des parties actives par – uniquement une isolation principale – isolation renforcée	– 3 000	1 000 3 000
2. Pour les parties avec double isolation, entre parties métalliques séparées des parties actives par uniquement une isolation principale et – parties actives – parties accessibles	1 250 2 500	1 250 2 500
3. Entre les enveloppes ou capots métalliques recouverts de matériau isolant et une feuille métallique en contact avec la surface intérieure du revêtement, si la distance entre parties actives et ces enveloppes ou capots métalliques, mesurée à travers le revêtement, est inférieure à la distance d'isolement appropriée comme spécifié à l'article 26.	2 500	1 250

NOTE 1 Le transformateur haute tension utilisé pour l'essai est conçu de telle sorte que, lorsque les bornes secondaires sont court-circuitées après que la tension secondaire a été réglée à la tension d'essai appropriée, le courant secondaire soit au moins de 200 mA. Il ne faut pas que le relais de surintensité déclenche tant que le courant de sortie est inférieur à 100 mA.

NOTE 2 On prend soin de mesurer, à ± 3 % près, la valeur efficace de la tension d'essai.

NOTE 3 Les effluves ne coïncidant pas avec une chute de tension ne sont pas prises en compte.

16 Forces nécessaires pour engager et pour retirer la prise mobile

L'article de la CEI 60320-1 est remplacé comme suit:

16.1 La construction des connecteurs connectés par gravité doit être telle que la prise mobile s'engagera entièrement sous le poids de l'appareil d'utilisation ou du matériel électrique, et se désengagera sous le poids du socle d'alimentation. Les valeurs minimales de ces poids doivent être spécifiées par les instructions d'installation du fabricant.

La conformité est vérifiée par les essais de 16.2 et de 16.3, lesquels sont réalisés sur une prise mobile et sur un socle de connecteur, puis est révérifiée après l'essai de l'Article 21. Un appareil d'utilisation et un socle d'alimentation représentatifs, chacun d'entre eux ayant le poids minimal déclaré par le fabricant, peuvent être fournis pour le présent essai.

16.2 Le poids minimal pour un engagement complet est déterminé en montant une prise mobile connectée par gravité et un socle de connecteur connecté par gravité de façon qu'ils puissent s'engager librement et que l'axe d'engagement soit vertical. On applique au socle de connecteur verticalement et vers le bas une force égale au poids de l'appareil d'utilisation minimal spécifié diminué du poids du socle de connecteur. Le socle de connecteur doit laisser entrer entièrement la prise mobile, conformément aux instructions d'installation du fabricant. Toute résistance initiale causée par les obturateurs d'étanchéité et analogues peut être dépassée manuellement mais le connecteur doit être complètement engagé sous la force spécifiée seule.

NOTE Le dispositif avec lequel l'essai est réalisé dépendra de la construction du connecteur connecté par gravité considéré. Un appareil d'utilisation représentatif, du poids minimal déclaré peut être utilisé pour l'application de la force.

16.3 Le poids minimal pour une séparation correcte du socle d'alimentation doit être déterminé en plaçant la prise mobile connectée par gravité sur une surface horizontale de façon telle que son axe d'engagement soit vertical, et en attachant à la prise mobile un poids égal au poids minimal déclaré par le fabricant. La prise mobile connectée par gravité doit être libre de se déplacer sur la surface.

Le socle de connecteur connecté par gravité est ensuite entièrement engagé sur la prise mobile puis retiré.

La prise mobile ne doit pas rester dans le socle de connecteur.

NOTE Un socle d'alimentation représentatif, du poids minimal déclaré par le fabricant peut être utilisé pour fournir le poids exigé par le présent essai.

Les prises mobiles connectées par gravité pour lesquelles une température ambiante de service maximale est spécifiée en 7.1.4 qui est supérieure à la température ambiante, sont essayées deux fois, une fois à la température ambiante et une fois après que le socle de connecteur a été élevé à la température ambiante de service maximale spécifiée.

17 Fonctionnement des contacts

Le troisième alinéa de la CEI 60320-1 est remplacé comme suit:

La conformité est vérifiée par examen et par les essais des Articles 16,18, 19, 20, 21 et 25.101.

18 Résistance à l'échauffement des connecteurs pour conditions chaudes ou très chaudes

L'article correspondant de la CEI 60320-1 s'applique avec les modifications suivantes:

NOTE Lorsque le connecteur est un connecteur connecté par gravité d'un modèle non standard, l'essai de 18.2 peut être combiné avec celui de 18.3 en utilisant la prise mobile connectée par gravité avec le socle de connecteur connecté par gravité correspondant du fabricant.

19 Pouvoir de coupure

L'article de la CEI 60320-1 est remplacé comme suit:

Les connecteurs connectés par gravité doivent avoir un pouvoir de coupure approprié.

Le présent essai n'est pas réalisé sur les connecteurs connectés par gravité spécialement prévus pour ne jamais être séparés alors que le courant circule.

NOTE 1 Un certain mouvement latéral est admis pour simuler l'usage prévu.

La conformité est vérifiée, dans le cas de prises mobiles de courant assigné de plus de 0,2 A, par l'essai suivant:

La prise mobile doit être montée sur un dispositif adapté.

Le socle de connecteur doit être positionné de façon telle que le plan qui passe par la direction d'engagement soit vertical.

Les deux alvéoles sous tension du socle de connecteur sont raccordées entre elles de façon interne et une charge électrique externe est raccordée en série avec l'alimentation. La charge externe est telle que le courant est égal à 1,25 fois le courant assigné sous une tension d'essai de 275 V, le facteur de puissance étant égal à $0,95^{+0,05}_0$ pour les prises mobiles connectées par gravité de courant assigné supérieur ou égal à 10 A, et égal à $0,6 \pm 0,05$ pour les autres prises mobiles connectées par gravité. La charge externe est positionnée de façon à ne pas affecter la température ambiante de l'enveloppe d'essai. Un exemple de circuit adapté est indiqué dans la CEI 60320-1, Figure 15.

La prise mobile et le socle de connecteur connectés par gravité sont connectés et déconnectés 50 fois (100 changements de position), à une cadence entre 15 et 20 changements de position par minute. La longueur de la course de l'appareil d'essai doit être suffisante pour assurer la séparation des faces correspondantes de la prise mobile et du socle de connecteur par une distance minimale de 30 mm.

On ne fait pas passer de courant dans le circuit de terre éventuel.

S'il est fait usage d'une inductance à air, une résistance absorbant environ 1 % du courant traversant l'inductance est reliée en parallèle avec celle-ci. Des inductances à noyau de fer peuvent être utilisées, pourvu que le courant soit sensiblement sinusoïdal.

Pendant l'essai, il ne doit se produire ni contournement entre les parties sous tension de polarités différentes, ni entre ces parties et les parties du circuit de terre éventuel, et il ne doit pas se produire d'arc permanent.

Après l'essai, l'échantillon ne doit présenter aucun dommage nuisible à son usage ultérieur et les zones d'entrée des alvéoles du socle de connecteur ne doivent présenter aucune trace sérieuse de dégradation. En cas de doute, l'essai est répété avec l'appareil d'essai équipé d'un nouveau socle de connecteur. Si le nouvel échantillon passe ce second essai sans détérioration significative supplémentaire, la prise mobile est considérée satisfaisante à l'exigence.

NOTE 2 Un changement de position correspond à une introduction ou à un retrait de la prise mobile.

NOTE 3 Cet essai est réalisé à la température ambiante.

20 Fonctionnement normal

L'article de la CEI 60320-1 est remplacé comme suit:

Les connecteurs connectés par gravité doivent supporter, sans usure excessive ni autre effet néfaste, les contraintes mécaniques, électriques et thermiques qui se présentent en usage normal.

La conformité est vérifiée en essayant les prises mobiles dans l'appareil décrit à l'Article 19.

Le nombre de connexions et de déconnexions réalisées au cours de cet essai doit être déclaré par le fabricant. Lorsque le connecteur connecté par gravité est destiné à être utilisé dans plusieurs applications différentes et avec différentes valeurs de courant assigné, les essais doivent être réalisés sur un jeu d'échantillons séparé durant un nombre spécifié de cycles pour chaque type d'application, le courant d'essai étant déterminé à partir de la déclaration de courant assigné par le fabricant.

Les connexions et les autres conditions d'essai sont celles de l'Article 19, sauf en ce qui concerne le courant qui doit être égal à 1,1 fois le courant assigné, ainsi que la tension appliquée qui doit être égale à la tension assignée maximale. La moitié du nombre de changements de position doit être appliquée lorsque le courant circule, suivie de la moitié du nombre de changements de position sans aucun courant. Sur les prises mobiles et socles de connecteurs connectés par gravité spécialement prévus pour ne jamais être séparés alors que le courant circule, on doit appliquer la totalité du nombre de changements de position sans aucun courant.

Dans le cas de connecteurs connectés par gravité permettant une plage d'orientation angulaire pour l'engagement, la position angulaire relative du socle de connecteur connecté par gravité et de la prise mobile connectée par gravité au cours de l'introduction et de l'enlèvement doit varier à l'intérieur d'une valeur angulaire qui doit être égale à 45° ou à la valeur angulaire fournie par la conception, selon la valeur la plus faible. L'essai doit être réalisé sur un dispositif qui modifie la position relative du socle de connecteur connecté par gravité et de la prise mobile connectée par gravité après séparation et avant la nouvelle introduction d'une valeur telle que l'orientation relative de l'introduction soit modifiée entre 20 et 30 fois à l'intérieur de la valeur angulaire appropriée ou 45° selon la valeur angulaire qui s'applique. Le sens du mouvement angulaire doit être inversé au terme de chaque mouvement angulaire. Toutes les 250 introductions, on doit modifier la position relative du socle de connecteur connecté par gravité et de la prise mobile connectée par gravité dans chaque direction alors qu'ils sont engagés de la totalité de la valeur angulaire permise par la conception ou 45°, selon la valeur la plus faible, puis retourner à la position de départ avant le désengagement suivant. Pour les connecteurs connectés par gravité spécialement prévus pour ne jamais être désengagés alors que le courant circule, le courant d'essai doit être appliqué uniquement au cours de la variation angulaire en position engagée pour la moitié du nombre de cycles d'essai déclarés par le fabricant.

Après l'essai, l'échantillon doit supporter un essai de rigidité diélectrique effectué comme spécifié en 15.3.

L'échantillon ne doit présenter:

- ni usure nuisible à son usage ultérieur;
- ni dégradation des enveloppes ou des cloisons;
- ni dommage sur les zones d'entrée des alvéoles du socle de connecteur susceptible d'empêcher un fonctionnement satisfaisant;
- ni desserrage des connexions électriques ou des liaisons mécaniques;
- ni écoulement de matériau de remplissage.

En cas de doute sur une usure excessive, le calibre d'essai 13 de la CEI 61032 est appliqué sans force appréciable au travers des ouvertures des prises mobiles de l'appareil d'utilisation; il ne doit pas être possible de mettre en contact les parties actives avec le calibre d'essai. "Sans force appréciable" signifie une force ne dépassant pas 1 N.

NOTE 1 L'épreuve hygroscopique n'est pas répétée avant l'essai diélectrique du présent article.

NOTE 2 Un certain mouvement latéral de la prise mobile correspondante au socle de connecteur en essai est admis pour simuler l'usage prévu.

21 Echauffement

L'article de la CEI 60320-1 est remplacé comme suit:

Les contacts et les autres parties transportant le courant doivent être conçus de façon qu'il ne se produise pas d'échauffement excessif dû au passage du courant.

La conformité est vérifiée, dans le cas de prises mobiles de courant assigné de plus de 0,2 A, par l'essai suivant:

Les prises mobiles doivent être équipées du câble souple spécifié par le fabricant.

La prise mobile doit être équipée d'un socle de connecteur correspondant assurant un engagement correct tel que spécifié par le fabricant.

Alternativement, les exigences d'essai d'échauffement issues de la norme d'appareil d'utilisation appropriée peuvent être utilisées en remplacement de l'essai à 1,25 fois le courant assigné pendant 1 h.

Pour les prises mobiles avec alvéole de terre, on fait ensuite passer le courant, pendant 1 h, dans un contact transportant le courant et dans l'alvéole de terre.

La température est déterminée au moyen de montres fusibles, d'indicateurs à changement de couleur ou de couples thermoélectriques choisis et placés de façon à avoir un effet négligeable sur la température à déterminer.

L'échauffement des bornes ou sorties et des contacts ne doit pas dépasser la valeur déclarée par le fabricant, en prenant en compte la construction et les matériaux de la prise mobile, du socle de connecteur et du câble souple spécifié, ainsi que les exigences de la norme d'appareil d'utilisation appropriée.

Après cet essai, le deuxième lot de trois échantillons spécifié en 5.5 doit supporter l'essai de l'Article 16.

NOTE 1 Pendant l'essai, la prise mobile n'est pas exposée à une source extérieure de chaleur.

NOTE 2 Pour les prises mobiles disposant d'un contact de terre, le Paragraphe 25.101 s'applique.

22 Câbles souples et leur raccordement

L'article correspondant de la CEI 60320-1 s'applique avec les modifications suivantes:

22.1 *Addition:*

Dans le cas de prises mobiles connectées par gravité non démontables de courant assigné autre que ceux spécifiés dans le Tableau 4, le câble souple doit avoir une section qui ne soit pas inférieure à celle spécifiée pour le courant assigné immédiatement supérieur. Le type de câble souple doit être approprié à l'appareil d'utilisation, spécifié dans la CEI 60335-1, 25.7.

NOTE Les exigences relatives à la section données en 25.8 de la CEI 60335-1 ne s'appliquent pas.

22.2 *Remplacement:*

Les prises mobiles connectées par gravité dans lesquelles l'ancrage du câble souple et la suppression des tensions sont entièrement assurés par le socle d'alimentation de l'appareil d'utilisation ou du matériel électrique dans lequel elles sont prévues être intégrées ou incorporées ne sont pas essayées dans le cadre de ce paragraphe. D'autres prises mobiles connectées par gravité qui peuvent fournir un ancrage de câble partiel ou complet doivent être essayées installées selon les instructions du fabricant et conformément aux exigences de la norme CEI appropriée de l'appareil d'utilisation ou du matériel électrique dans lequel elles sont prévues être incorporées ou intégrées.

22.3 Le paragraphe correspondant de la CEI 60320-1 ne s'applique pas.

22.4 Le paragraphe correspondant de la CEI 60320-1 ne s'applique pas.

23 Résistance mécanique

L'article correspondant de la CEI 60320-1 s'applique avec les modifications suivantes:

23.1 *Remplacement:*

Les connecteurs connectés par gravité doivent avoir une résistance mécanique appropriée.

La conformité est vérifiée sur les connecteurs connectés par gravité, installés selon les instructions du fabricant, par l'essai de 23.5.

23.2 Le paragraphe correspondant de la CEI 60320-1 ne s'applique pas.

23.3 Le paragraphe correspondant de la CEI 60320-1 ne s'applique pas.

23.4 Le paragraphe correspondant de la CEI 60320-1 ne s'applique pas.

23.5 Le paragraphe de la CEI 60320-1 s'applique avec les modifications suivantes:

Remplacer le premier alinéa comme suit:

Lorsque des socles de connecteurs connectés par gravité et des prises mobiles connectées par gravité, intégrés ou incorporés dans un appareil d'utilisation selon les instructions du fabricant, ont des surfaces exposées, ces surfaces exposées doivent être essayées au moyen de l'appareil de choc à ressort représenté à la Figure 21.

23.6 Le paragraphe correspondant de la CEI 60320-1 ne s'applique pas.

23.8 Le paragraphe correspondant de la CEI 60320-1 ne s'applique pas.

24 Résistance à la chaleur et au vieillissement

L'article correspondant de la CEI 60320-1 s'applique avec les modifications suivantes:

24.1.2 Remplacement:

Les parties en matière isolante des socles de connecteurs connectés par gravité et des prises mobiles connectées par gravité doivent être suffisamment résistantes à la chaleur si leur détérioration est susceptible d'entraîner la perte de la conformité du socle de connecteur ou de la prise mobile à la présente norme.

Cette exigence ne s'applique pas aux pièces du dispositif d'arrêt du câble, au dispositif de protection du câble, aux parties de prises mobiles moulées avec le câble souple et les parties en céramique.

La conformité est vérifiée en soumettant la partie appropriée à l'essai à la bille de la CEI 60695-10-2.

L'essai est réalisé à une température supérieure de (40 ± 2) °C à la plus forte température mesurée au cours de l'essai de l'Article 21 ou à une température de (125 ± 2) °C si cette dernière est plus élevée.

24.1.3 Le paragraphe correspondant de la CEI 60320-1 ne s'applique pas.

25 Vis, pièces transportant le courant et connexions

L'article correspondant de la CEI 60320-1 s'applique avec les modifications suivantes:

25.3 Remplacement:

Les connexions électriques doivent être conçues de façon que la pression de contact ne se transmette pas par l'intermédiaire de matériaux isolants autres que céramiques ou autres matériaux présentant des caractéristiques au moins équivalentes.

Cette exigence ne s'applique pas aux prises mobiles et socles de connecteurs connectés par gravité, si un retrait ou un affaissement éventuel de la matière isolante est susceptible d'être compensé par une élasticité suffisante des pièces métalliques.

NOTE Le caractère approprié du matériau est estimé par rapport à la stabilité des dimensions.

La conformité est vérifiée par examen.

NOTE Cette exigence n'exclut pas les connexions électriques avec des câbles souples à fil rosette pour des intensités jusqu'à 0,2 A dans les cas où la pression de contact est obtenue par une matière isolante ayant des propriétés telles qu'un contact fiable et permanent dans toutes les conditions d'usage normal soit assuré, en particulier en ce qui concerne le retrait, les déformations en charge, le vieillissement et le fluage de la matière isolante.

25.8 Le paragraphe correspondant de la CEI 60320-1 ne s'applique pas.

25.101 Pour les connecteurs disposant de contacts de terre, la connexion entre le contact de terre ou la sortie et les parties métalliques raccordées à la terre doit avoir une faible résistance électrique.

Si les distances d'isolement de l'isolation principale dans un circuit à très basse tension de protection sont basées sur la tension assignée de l'appareil d'utilisation, cette exigence ne s'applique pas aux connexions assurant une continuité de terre dans le circuit à très basse tension de protection.

La conformité est vérifiée par l'essai suivant réalisé sur un appareil d'utilisation représentatif dans lequel le connecteur est prévu être utilisé:

On applique un courant, issu d'une source disposant d'une tension à vide ne dépassant pas 12 V (c.a. ou c.c.) et égal à 1,5 fois le courant assigné de l'appareil d'utilisation ou 25 A selon la valeur la plus élevée, entre la borne de terre ou le contact de terre de la prise mobile et tour à tour chacune des parties métalliques accessibles de l'appareil d'utilisation représentatif.

On mesure la chute de tension entre la borne de terre ou la sortie de la prise mobile de l'appareil d'utilisation et la partie métallique accessible de l'appareil d'utilisation représentatif. La résistance calculée à partir du courant et de cette chute de tension ne doit pas dépasser 0,1 Ω.

NOTE 1 En cas de doute, on réalise l'essai jusqu'à l'établissement de conditions stables.

NOTE 2 La résistance du cordon d'alimentation n'est pas comprise dans la mesure.

NOTE 3 Il convient de s'assurer que la résistance de contact entre l'extrémité de la sonde de mesure et la partie métallique en essai n'influence pas les résultats de l'essai.

26 Lignes de fuite, distances dans l'air et distances à travers la matière isolante

L'article de la CEI 60320-1 est remplacé comme suit:

Les socles de connecteurs et les prises mobiles doivent être fabriqués de façon que les **distances d'isolement**, les **lignes de fuite** et l'isolation solide soient appropriées pour résister aux contraintes électriques auxquelles ils sont susceptibles d'être soumis.

Les prises mobiles connectées par gravité sont essayées lorsqu'elles sont engagées dans un socle de connecteur connecté par gravité et aussi lorsqu'elles sont désengagées.

La conformité est vérifiée par les exigences et les essais de 26.1 à 26.3.

NOTE 1 Les exigences et les essais sont basés sur la CEI 60664-1 à partir de laquelle des informations complémentaires peuvent être obtenues.

NOTE 2 L'appréciation des **distances d'isolement**, des **lignes de fuite** et de l'isolation solide est à réaliser séparément.

26.1 Les distances d'isolement ne doivent pas être inférieures aux valeurs spécifiées dans le Tableau 103, en prenant en compte la **tension assignée de tenue aux chocs** pour les catégories de surtension du Tableau 102.

Les socles de connecteurs et les prises mobiles sont dans la catégorie de surtension II.

NOTE 1 La CEI 60664-1 donne les informations relatives aux catégories de surtension.

Tableau 102 – Tension assignée de tenue aux chocs

Tension assignée V	Tension assignée de tenue aux chocs V		
	Catégorie de surtension		
	I	II	III
≤ 50	330	500	800
> 50 et ≤ 100	500	800	1500
> 100 et ≤ 150	800	1 500	2 500
> 150 et ≤ 300	1 500	2 500	4 000

Les **distances d'isolement** inférieures à celles spécifiées dans le Tableau 103 ne sont pas admises pour l'**isolation principale**.

Tableau 103 – Distances d'isolement minimales

Tension assignée de tenue aux chocs V	Distance d'isolement minimale ^a mm
330	0,5 b
500	0,5 b
800	0,5 b
1 500	0,5
2 500	1,5
4 000	3,0

a Les distances spécifiées s'appliquent uniquement aux **distances d'isolement** dans l'air.

b Les **distances d'isolement** plus faibles spécifiées dans la CEI 60664-1 n'ont pas été adoptées pour des raisons pratiques, telles que les tolérances liées à la production en grande série.

La conformité est vérifiée par examen et par des mesures.

Les pièces, telles que les écrous de forme hexagonale, qui peuvent être serrées en différentes positions au moment de l'assemblage, et les parties démontables sont placées dans la position la plus défavorable.

*On applique une force aux conducteurs nus et aux **surfaces accessibles** pour essayer de réduire les **distances d'isolement** lors de la mesure. La force est égale à*

- 2 N, pour les conducteurs nus,
- 30 N, pour les **surfaces accessibles**.

La force est appliquée au moyen du calibre d'essai B de la CEI 61032. Les ouvertures sont supposées être recouvertes d'une pièce métallique plate.

NOTE 2 La façon dont sont mesurées les **distances d'isolement** est spécifiée dans la CEI 60664-1 et la Figure 101.

26.1.1 Les **distances d'isolement** pour l'**isolation principale** doivent être suffisantes pour résister aux surtensions susceptibles de se produire en usage normal, en prenant en compte la **tension assignée de tenue aux chocs**. Les valeurs du Tableau 103 sont applicables.

NOTE Les surtensions peuvent provenir de sources externes ou résulter de phénomènes de commutation.

La conformité est vérifiée par des mesures.

26.1.2 Les **distances d'isolement** pour l'**isolation supplémentaire** ne doivent pas être inférieures à celles spécifiées pour l'**isolation principale** dans le Tableau 103.

La conformité est vérifiée par des mesures.

26.1.3 Les **distances d'isolement** pour l'**isolation renforcée** ne doivent pas être inférieures à celles spécifiées pour l'**isolation principale** dans le Tableau 103 mais en utilisant le niveau immédiatement supérieur de **tension assignée de tenue aux chocs** comme référence.

NOTE Pour la **double isolation**, lorsqu'il n'y a pas de partie conductrice intermédiaire entre l'**isolation principale** et l'**isolation supplémentaire**, les **distances d'isolement** sont mesurées entre les **parties actives** et la **surface accessible**, et le système d'isolation est traité en tant qu'**isolation renforcée** comme indiqué en Figure 101.

La conformité est vérifiée par des mesures.

26.1.4 Pour l'**isolation fonctionnelle**, les valeurs du Tableau 103 s'appliquent.

La conformité est vérifiée par des mesures.

26.2 Les socles de connecteurs et les prises mobiles doivent être fabriqués de façon que les lignes de fuite ne soient pas inférieures à celles appropriées pour la tension locale, en prenant en compte le groupe de matériau et le degré de pollution.

NOTE 1 La **tension locale** pour les parties connectées au neutre est la même que pour les parties connectées à la phase.

Le degré de pollution 2 s'applique sauf si

- des précautions ont été prises pour protéger l'isolation, auquel cas le degré de pollution 1 s'applique,
- l'isolation est soumise à une pollution conductrice, auquel cas le degré de pollution 3 s'applique.

NOTE 2 Des informations sur le degré de pollution sont données dans la CEI 60664-1.

NOTE 3 Le degré de pollution 4 ne s'applique pas aux connecteurs.

La conformité est vérifiée par des mesures.

NOTE 4 La façon dont les **lignes de fuite** sont mesurées est spécifiée dans la CEI 60664-1.

Les pièces, telles que les écrous de forme hexagonale, qui peuvent être serrées en différentes positions au moment de l'assemblage, et les parties démontables, sont placées dans la position la plus défavorable.

*On applique une force aux conducteurs nus et aux **surfaces accessibles** pour essayer de réduire les **distances d'isolement** lors de la mesure. La force est égale à*

- 2 N, pour les conducteurs nus,
- 30 N, pour les **surfaces accessibles**.

La force est appliquée au moyen du calibre d'essai B de la CEI 61032.

Les relations entre le groupe de matériau et les valeurs de l'indice de résistance au cheminement (IRC), telles qu'indiquées dans le paragraphe 2.7.1.3 de la CEI 60664-1, sont

- groupe de matériau I: $600 \leq IRC$,
- groupe de matériau II: $400 \leq IRC < 600$,
- groupe de matériau IIIa: $175 \leq IRC < 400$,
- groupe de matériau IIIb: $100 \leq IRC < 175$.

Ces valeurs d'IRC sont obtenues conformément à la CEI 60112 en utilisant la solution A. Si la valeur d'IRC du matériau est inconnue, un essai de tenue au cheminement (ITC) est réalisé conformément à l'Annexe AA aux valeurs d'IRC spécifiées, afin de connaître le groupe de matériau.

NOTE 5 L'essai de résistance au cheminement (IRC) selon la CEI 60112 est prévu pour comparer les performances de différents matériaux isolants dans les conditions d'essai, à savoir des gouttes d'un agent polluant aqueux tombant sur une surface horizontale conduisant à une conduction électrolytique. Il permet une comparaison qualitative mais il peut aussi permettre une comparaison quantitative dans le cas de matériaux isolants ayant tendance à former des cheminements, c'est-à-dire déterminer l'indice de résistance au cheminement.

NOTE 6 La procédure d'appréciation des **lignes de fuite** est donnée dans la CEI 60664-1.

26.2.1 Les lignes de fuite pour l'isolation principale ne doivent pas être inférieures à celles spécifiées dans le Tableau 104.

Tableau 104 – Lignes de fuite minimales pour l'isolation principale

Tension locale V	Ligne de fuite mm						
	1	Degré de pollution					
		2			3		
		Groupe de matériau			Groupe de matériau		
	I	II	IIIa/IIIb	I	II	IIIa/IIIb	
≤ 50	0,2	0,6	0,9	1,2	1,5	1,7	1,9 ^a
> 50 et ≤ 125	0,3	0,8	1,1	1,5	1,9	2,1	2,4
> 125 et ≤ 250	0,6	1,3	1,8	2,5	3,2	3,6	4,0

NOTE Pour le verre, les céramiques et d'autres matériaux isolants non organiques qui ne cheminent pas, il n'est pas nécessaire que les **lignes de fuite** soient supérieures aux **distances d'isolement** associées.

^a Le groupe de matériau IIIb est admis si la **tension locale** ne dépasse pas 50 V.

La conformité est vérifiée par des mesures.

26.2.2 Les **lignes de fuite** pour l'**isolation supplémentaire** doivent être au moins égales à celles spécifiées pour l'**isolation principale** dans le Tableau 104.

NOTE En cas d'isolation supplémentaire, la note du Tableau 104 ne s'applique pas.

La conformité est vérifiée par des mesures.

26.2.3 Les **lignes de fuite** pour l'**isolation renforcée** doivent être au moins égales au double de celles spécifiées pour l'**isolation principale** dans le Tableau 104.

NOTE En cas d'isolation renforcée, la note du Tableau 104 ne s'applique pas.

La conformité est vérifiée par des mesures.

26.2.4 Les **lignes de fuite** pour l'**isolation fonctionnelle** ne doivent pas être inférieures à celles spécifiées dans le Tableau 104.

26.3 L'isolation solide doit avoir une épaisseur minimale de 1 mm pour l'**isolation supplémentaire** et de 2 mm pour l'**isolation renforcée**.

NOTE 1 Ceci n'implique pas que l'épaisseur en question soit uniquement au travers de l'isolation solide. L'isolation peut consister en un matériau solide ajouté à une ou plusieurs couches d'air.

Cette exigence ne s'applique pas

- pour l'**isolation supplémentaire**, si l'isolation est constituée d'au moins deux couches, sous réserve que chacune de ces deux couches satisfasse à l'essai de rigidité diélectrique de 15.3,

- pour l'**isolation renforcée**, si l'isolation est constituée d'au moins trois couches, sous réserve que deux couches quelconques mises ensemble satisfassent à l'essai de rigidité diélectrique de 15.3.

Dans ce cas, les couches ne doivent pas comporter de mica ou de matériau à écailles similaire.

NOTE 2 Les couches peuvent rester reliées ensemble aussi longtemps qu'il demeure possible de les essayer séparément avant raccordement.

La vérification est effectuée par examen et par les essais.

L'isolation solide peut avoir une épaisseur minimale inférieure sous réserve que les parties accessibles de l'isolation solide doivent disposer d'une résistance suffisante pour empêcher la pénétration des outils pointus.

La conformité est vérifiée en soumettant l'isolant à l'essai suivant, à moins que l'épaisseur de l'isolation supplémentaire soit au moins de 1 mm et que celle de l'isolation renforcée soit au moins de 2 mm.

On monte l'isolant à la température mesurée au cours de l'essai de l'Article 21. La surface de l'isolant est ensuite grattée au moyen d'une pointe en acier durci dont l'extrémité a une forme conique avec un angle de 40°. Son extrémité est arrondie avec un rayon de 0,25 mm ± 0,02 mm. La pointe est tenue avec un angle de 80° à 85° par rapport à l'horizontale et chargée de sorte que la force exercée le long de son axe soit de 10 N ± 0,5 N. Les rayures sont réalisées en tirant la pointe le long de la surface de l'isolant à une vitesse d'environ 20 mm/s. On réalise deux rayures parallèles. Elles sont suffisamment espacées de sorte qu'elles ne s'affectent pas mutuellement, leur longueur couvrant environ 25 % de la longueur de l'isolant. Deux rayures similaires sont réalisées à 90° de la première paire sans les croiser. Le polissoir d'essai de la Figure 7 de la CEI 60335-1 est ensuite appliqué à la surface rayée avec une force d'environ 10 N. Aucun dommage tel qu'un enlèvement de matière ne doit se produire. L'isolant doit ensuite satisfaire à l'essai de rigidité diélectrique de 15.3. La pointe d'acier durci est ensuite appliquée perpendiculairement avec une force de 30 N ± 0,5 N à une partie rayée de la surface. L'isolant doit ensuite satisfaire à l'essai de rigidité diélectrique de 15.3 toujours avec la pointe appuyée et utilisée comme une des électrodes.

27 Résistance de la matière isolante à la chaleur, au feu et aux courants de cheminement

L'article correspondant de la CEI 60320-1 s'applique avec les modifications suivantes:

27.1 Remplacement:

27.1 Les parties en matériau non métallique doivent être résistantes à l'inflammation et à la propagation du feu.

Cette exigence ne s'applique pas aux éléments décoratifs et aux autres parties non susceptibles d'être enflammées ou de propager les flammes qui prennent naissance à l'intérieur d'un appareil d'utilisation dans lequel la prise mobile ou le socle de connecteur est incorporé ou intégré.

La conformité est vérifiée par les essais de 27.1.1 et 27.1.2.

Les essais sont réalisés sur les parties en matériau non métallique qui ont été démontées de la prise mobile ou du socle de connecteur. Lorsque l'essai au fil incandescent est réalisé, ils sont placés dans la même orientation que celle qu'ils auraient en usage normal.

Ces essais ne sont pas réalisés sur l'isolant des conducteurs.

27.1.1 Les parties en matériau non métallique sont soumises à l'essai au fil incandescent de la CEI 60695-2-11, lequel est effectué à 550 °C.

L'essai au fil incandescent n'est pas réalisé sur les parties en matériau classé au moins HB40 conformément à la CEI 60695-11-10, sous réserve que l'échantillon en essai ne soit pas plus épais que la partie considérée.

Les parties pour lesquelles l'essai au fil incandescent ne peut être réalisé, telles que les parties constituées en matériau tendre ou en mousse, doivent satisfaire aux exigences spécifiées dans l'ISO 9772 pour les matériaux de catégorie FH3, l'échantillon en essai n'étant pas plus épais que la partie considérée.

27.1.2 Les prises mobiles et les socles de connecteurs sont essayés comme spécifié en 27.1.2.1 et 27.1.2.2. Toutefois, les essais ne s'appliquent pas aux

- parties supportant des connexions brasées;
- connexions soudées sur cartes à circuits imprimés;
- connexions de petits composants montés sur les cartes à circuits imprimés;
- parties à moins de 3 mm d'une quelconque de ces connexions.

NOTE On peut citer comme exemples de petits composants les diodes, les transistors, les bobines d'inductance, les circuits intégrés et les capacités non directement raccordés au réseau d'alimentation.

27.1.2.1 Les parties de matériau isolant supportant les connexions transportant un courant dépassant 0,2 A en **fonctionnement normal**, ainsi que les parties de matériau isolant situées à une distance inférieure à 3 mm de telles connexions, doivent avoir un index d'inflammabilité au fil incandescent d'au moins 850 °C conformément à la CEI 60695-2-12, l'échantillon en essai n'étant pas plus épais que la partie considérée.

27.1.2.2 Les parties en matériau isolant supportant des connexions transportant le courant, ainsi que les parties en matériau isolant situées à une distance inférieure à 3 mm de telles connexions, sont soumises à l'essai au fil incandescent de la CEI 60695-2-11. Toutefois, l'essai au fil incandescent n'est pas réalisé sur les parties de matériau classées comme ayant une température d'allumage au fil incandescent, selon la CEI 60695-2-13, égale ou supérieure à

- 775 °C, pour les connexions transportant un courant dépassant 0,2 A en **fonctionnement normal**,
- 675 °C, pour les autres connexions,

sous réserve que l'échantillon en essai ne soit pas plus épais que la partie considérée.

Lorsqu'on réalise l'essai au fil incandescent de la CEI 60695-2-11, les températures sont égales à

- 750 °C, pour les connexions transportant un courant dépassant 0,2 A en **fonctionnement normal**,
- 650 °C, pour les autres connexions.

NOTE 1 Les contacts dans les composants tels que les contacts d'interrupteurs sont considérés comme étant des connexions.

NOTE 2 L'extrémité du fil incandescent est appliquée à la partie à proximité de la connexion.

Les parties qui satisfont à l'essai au fil incandescent de la CEI 60695-2-11 mais qui, au cours de l'essai, produisent une flamme qui persiste pendant plus de 2 s subissent l'essai complémentaire suivant. Les parties au-dessus de la connexion à l'intérieur de l'enveloppe d'un cylindre vertical de diamètre 20 mm et de hauteur 50 mm sont soumises à l'essai au brûleur-aiguille de l'Annexe BB. Toutefois, les parties protégées par une barrière qui satisfont à l'essai au brûleur-aiguille de l'Annexe BB ne sont pas soumises à essai.

L'essai au brûleur-aiguille n'est pas réalisé sur les parties en matériau classé V-0 ou V-1 conformément à la CEI 60695-11-10, sous réserve que l'échantillon en essai ne soit pas plus épais que la partie considérée.

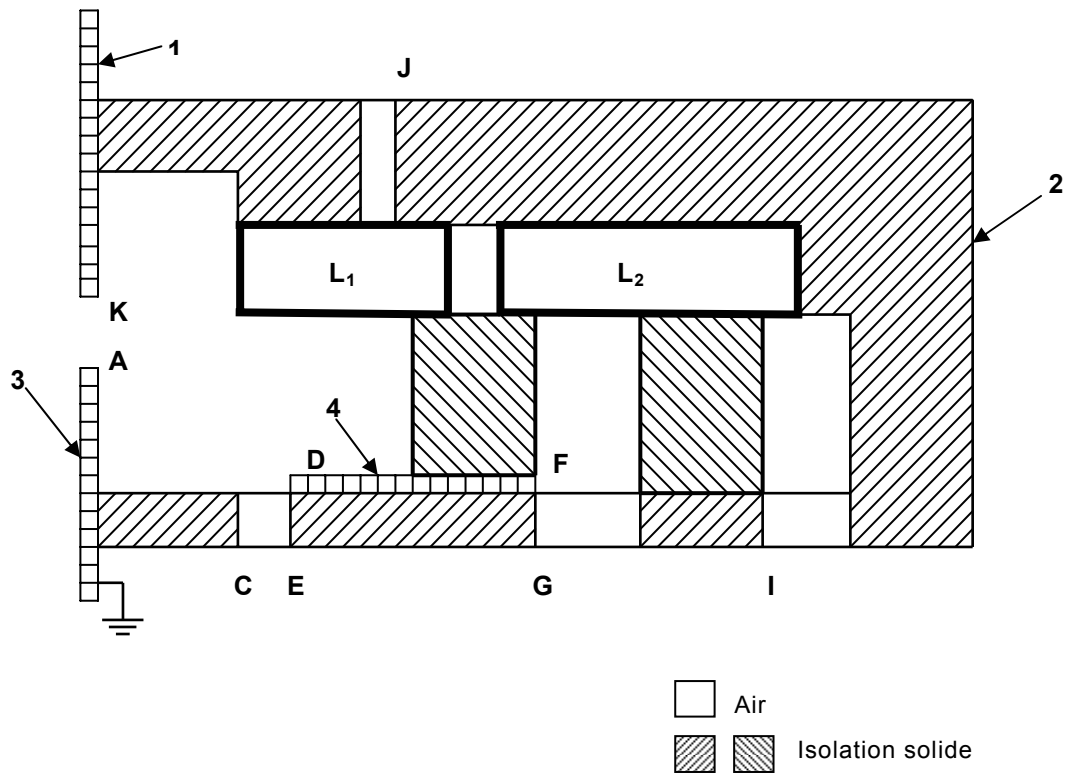
27.2 Le paragraphe correspondant de la CEI 60320-1 ne s'applique pas.

28 Protection contre la rouille

L'article correspondant de la CEI 60320-1 s'applique.

29 Prescriptions sur la compatibilité électromagnétique (CEM)

L'article correspondant de la CEI 60320-1 s'applique.



IEC 557/01

Légende

- 1 partie métallique accessible non mise à la terre
- 2 enveloppe
- 3 partie métallique accessible mise à la terre
- 4 partie métallique non accessible et non mise à la terre

Les **parties actives** L_1 et L_2 sont séparées entre elles et partiellement entourées par une enveloppe plastique disposant d'ouvertures ainsi que par de l'air, et elles sont en contact avec l'isolation solide. Une partie en métal non accessible est incorporée dans la construction. Il y a deux capots métalliques et l'un d'entre eux est mis à la terre.

<u>Type d'isolation</u>	<u>Distance d'isolement</u>
Isolation principale	L_1A
	L_1D
	L_2F
Isolation fonctionnelle	L_1L_2
Isolation supplémentaire	DE
	FG
Isolation renforcée	L_1K
	L_1J
	L_2I
	L_1C

NOTE Si les **distances d'isolement** L_1D ou L_2F satisfont les exigences de **distance d'isolement** pour l'**isolation renforcée**, les **distances d'isolement** DE ou FG de l'**isolation supplémentaire** ne sont pas mesurées.

Figure 101 – Exemples de distances d'isolement

Annexe AA (normative)

Essai de tenue au cheminement

L'essai de tenue au cheminement est réalisé conformément à la CEI 60112 avec les modifications suivantes.

10 Détermination de l'indice de tenue au cheminement (ITC)

Addition:

La tension spécifiée est 100 V, 175 V, 400 V ou 600 V, comme approprié.

L'essai est effectué sur cinq échantillons.

Annexe BB (normative)

Essai au brûleur-aiguille

L'essai au brûleur-aiguille est réalisé conformément à la CEI 60695-11-5 avec les modifications suivantes.

7 Degré de sévérité

Remplacement:

La durée d'application de la flamme d'essai est égale à 30 s ± 1 s.

9 Mode opératoire

9.2 Modification:

Le premier alinéa est remplacé par ce qui suit:

L'échantillon est disposé de façon que la flamme puisse être appliquée sur un bord vertical ou horizontal comme indiqué dans les exemples de la Figure 1.

Addition:

Si possible, la flamme est appliquée à au moins 10 mm d'un coin.

9.3 Remplacement:

L'essai est effectué sur un échantillon. Si l'échantillon ne satisfait pas à l'essai, l'essai peut être répété sur deux échantillons supplémentaires, lesquels doivent alors tous deux satisfaire à l'essai.

11 Evaluation des résultats d'essai

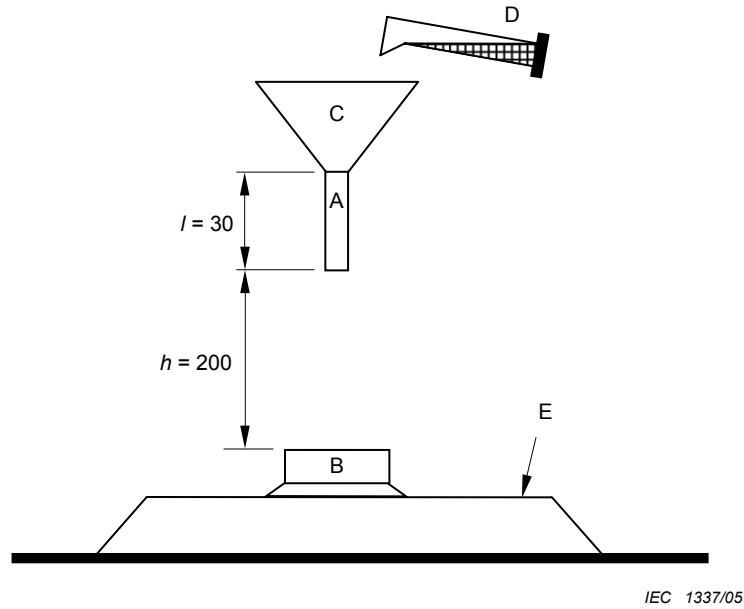
Modification:

La durée de combustion (t_b) ne doit pas dépasser 30 s. Toutefois, pour les cartes à circuits imprimés, elle ne doit pas dépasser 15 s.

Annexe CC
(normative)

Dispositif pour l'essai du Paragraphe 14.2

Dimensions en millimètres



Légende

- A Tube à entonnoir avec diamètre intérieur de 8 mm
- B Produit en essai
- C Entonnoir
- D Récipient contenant 30 ml de solution saline
- E Plan horizontal

NOTE Il est prévu que l'eau issue du récipient D soit versée sur le côté de l'entonnoir C pour assurer une dispersion correcte du débit d'eau en sortie.

Figure CC.1 – Dispositif pour l'essai du Paragraphe 14.2

LICENSED TO MECON LIMITED - RANCHI/BANGALORE.
FOR INTERNAL USE AT THIS LOCATION ONLY, SUPPLIED BY BOOK SUPPLY BUREAU.

INTERNATIONAL
ELECTROTECHNICAL
COMMISSION

3, rue de Varembé
PO Box 131
CH-1211 Geneva 20
Switzerland

Tel: + 41 22 919 02 11
Fax: + 41 22 919 03 00
info@iec.ch
www.iec.ch